

# Electrified Exit Devices Electrical Trims

## Standalone Alarm DJA

Battery-operated, with ignition switch cylinder  
Available on CMP301/306/401/406, 36"  
wide or greater

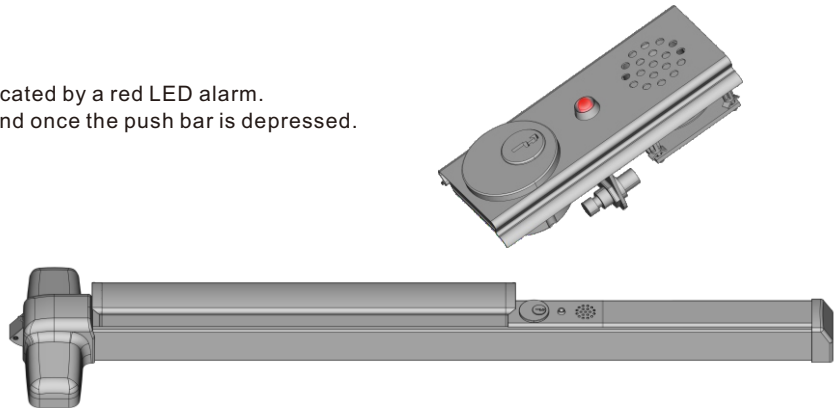
1. Voice alarm, 110dB.
2. All languages are optional.
2. Cylinder is used to disarm or reset the alarm.
3. Battery with 2 years of standby time.
4. A power shortage (voltage less than 7V) is indicated by a red LED alarm.
5. A two-minute alarm (or until disarmed) will sound once the push bar is depressed.
6. Voltage: 9V DC



## Standalone alarm DJB

Battery-operated, with mortise cylinder  
Available on CMP301/306/401/406 and all 450 series, 36" wide or greater

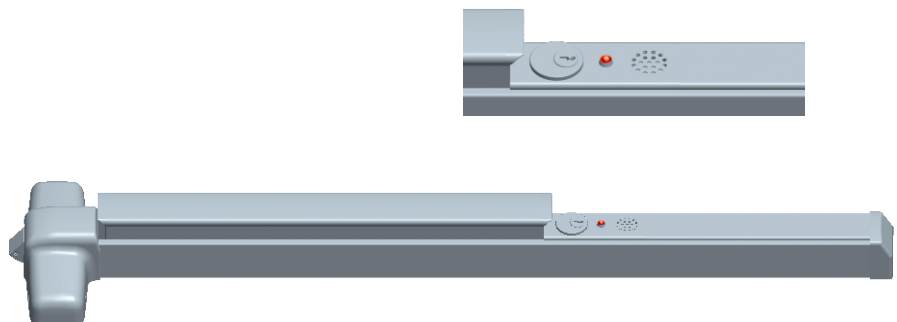
1. Voice alarm, 110dB.
2. All languages are optional.
2. Cylinder is used to disarm or reset the alarm.
3. Battery with 2 years of standby time.
4. A power shortage (voltage less than 7V) is indicated by a red LED alarm.
5. A two-minute alarm (or until disarmed) will sound once the push bar is depressed.
6. Voltage: 9V DC



## Online alarm DJC

Power by cable, with mortise cylinder  
Available on all CMP450 series

1. Voice alarm, 110dB.
2. All languages are optional.
3. Cylinder is used to disarm or reset the alarm.
4. A two-minute alarm (or until disarmed) will sound once the push bar is depressed.
5. Voltage: 12/24V DC



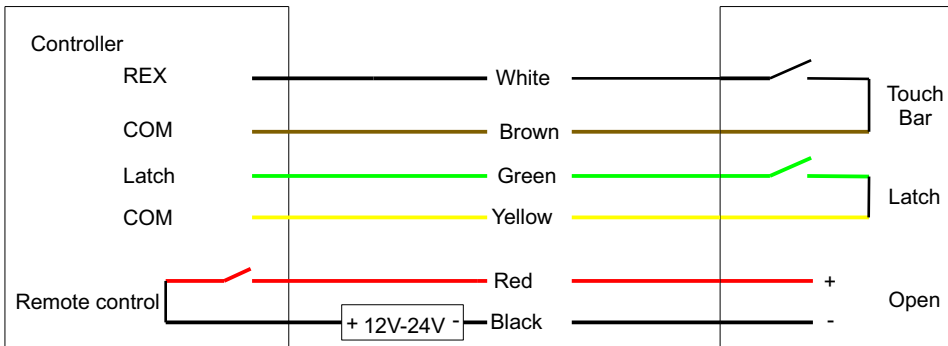
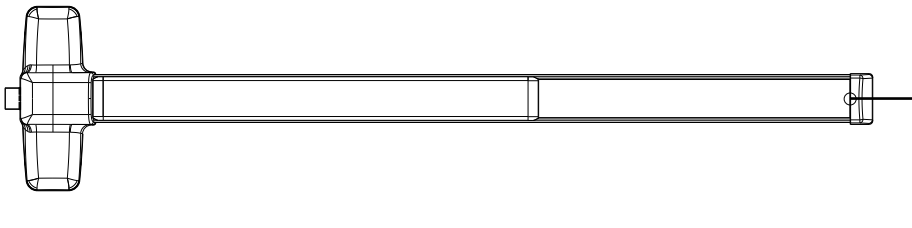
# Electrical Latch Retraction (ELR)

## Modular for CMP450 series and CMP955

### CMP450-ELR, CMP46X-ELR

Function :  
 Latch retracted by motor when power on, released by solenoid when power off.  
 Provides momentary or continuous latch and push bar retraction.  
 The device allows free egress at all times.

- Specification:
1. Motor driving to retract latch/mortise lock latch bolt and deadbolt/top and bottom bolt
  2. Operation voltage: 12-24V DC;
  3. Operation current: 155mA/12V, 106mA/24V
  4. Monitoring latch, touch bar, trim, top and bottom bolt, signals to access control system



Port	Color	Description
1	White	REX
2	Brown	COM
3	Green	Latch
4	Yellow	COM
5	Red	12V-24V +
6	Black	12V-24V -

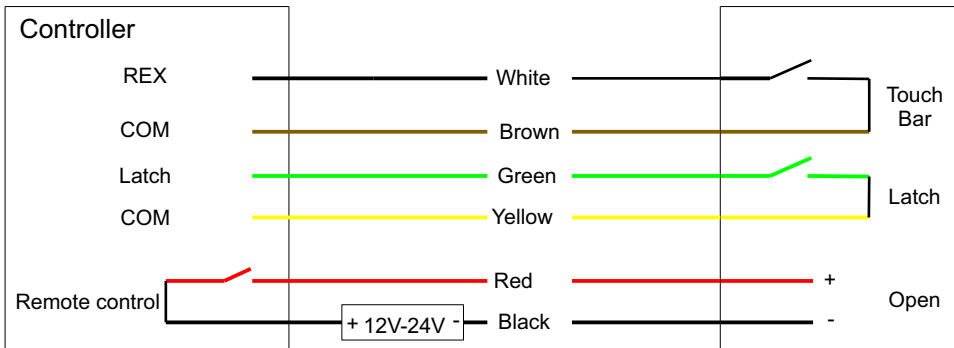
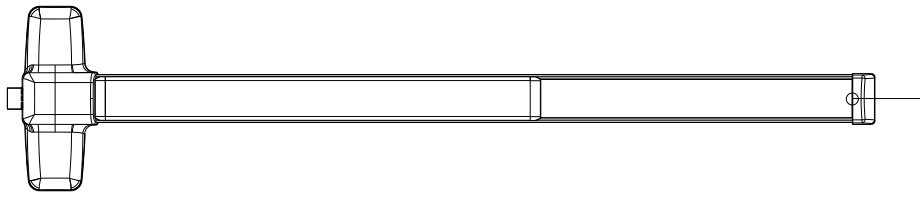
# Motorized Latch Retraction (MLR)

Modular for CMP450 series  
 CMP450-MLR, CMP46X-MLR

Function :  
 Latch retracted by motor when power on, released by motor when power off.  
 Provides momentary or continuous latch and push bar retraction.  
 The device allows free egress at all times.

Specification:

1. Motor driving to retract latch/mortise lock latchbolt and deadbolt/top and bottom bolt
2. Operation voltage: 24V DC;
3. Operation current: 1.2A max, static 150mA
4. Monitor latch, touch bar, trim, top and bottom bolt signal to access control system



Port	Color	Description
1	White	REX
2	Brown	COM
3	Green	Latch
4	Yellow	COM
5	Red	12V-24V +
6	Black	12V-24V -

# Electric Dogging (ED)

## Modular for CMP450 series

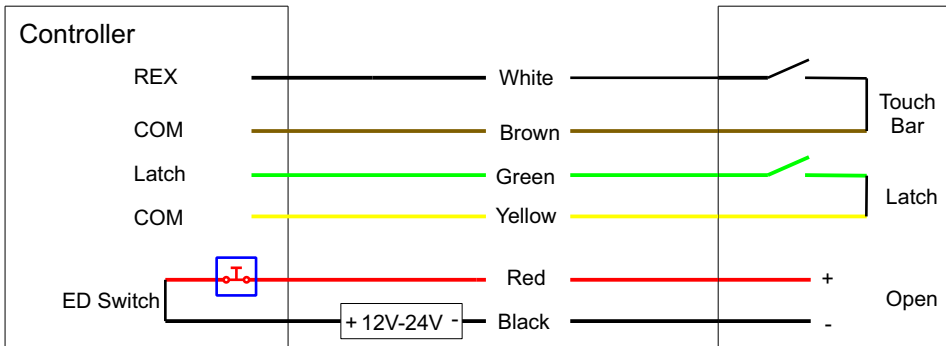
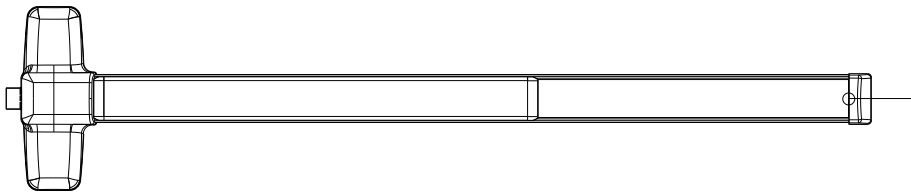
### CMP45X-ED, CMP46X-ED

Function :

Latch automatic retracted by motor, released by solenoid

Specification:

1. Motor driving to retract latch/mortise lock latchbolt and deadbolt/top and bottom bolt
2. Operation voltage: 12-24V DC;
3. Operation current: 160mA/12V, 110mA/24V
4. Monitor latch, touch bar, trim, top and bottom bolt signal to access control system



Port	Color	Description
1	White	REX
2	Brown	COM
3	Green	Latch
4	Yellow	COM
5	Red	12V-24V +
6	Black	12V-24V -

# Delayed Egress (DE)

## Modular for CMP450 series

### CMP45X-DE CMP46X-DE

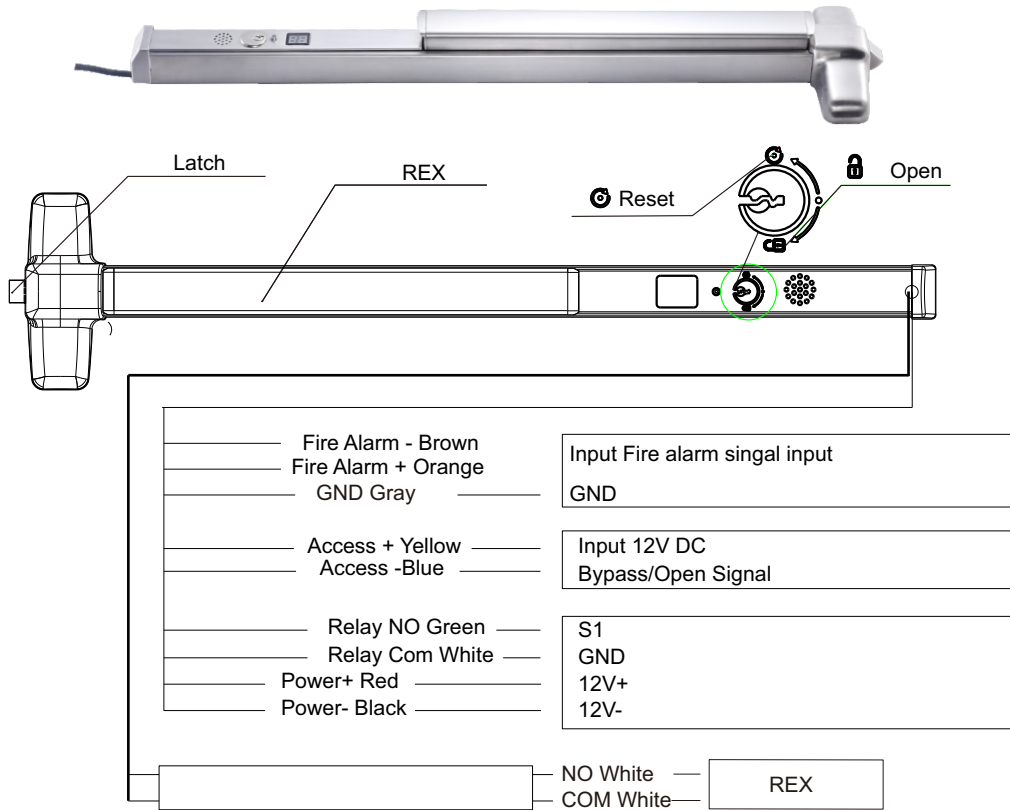
**Function:**

If the touch bar is pressed for more than 2 seconds, the alert is triggered. After a delay of 1 to 15 seconds (based on settings), the alarm stops and the door can be opened.

Key or by access control system to stop alert, and open door.

**Specification:**

1. Operation voltage: 12-24V DC
2. Operation current: 350mA
3. Monitor latch, touch bar, signal to access control system
4. Down counter display
5. Material: 304 or stainless steel painted

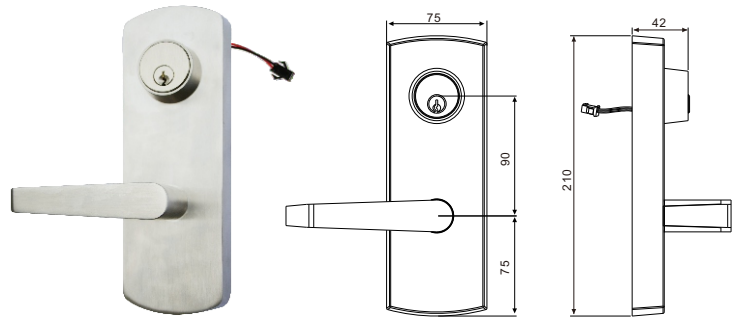


Port	Color	Description
1	Brown	Fir Alarm COM
2	Orange	Fire Alarm input DC12V When in high level the panic device will open with voice alarm
3	Gray	GND
4	Yellow	Access Controller output DC12V When in high level the panic device will open
5	Blue	Access Controller COM
6	Green	Relay NO
7	White	Relay Com
8	Red	12V+
9	Black	12V-

Port	Color	Description
1	White	REX NO
2	White	REX COM

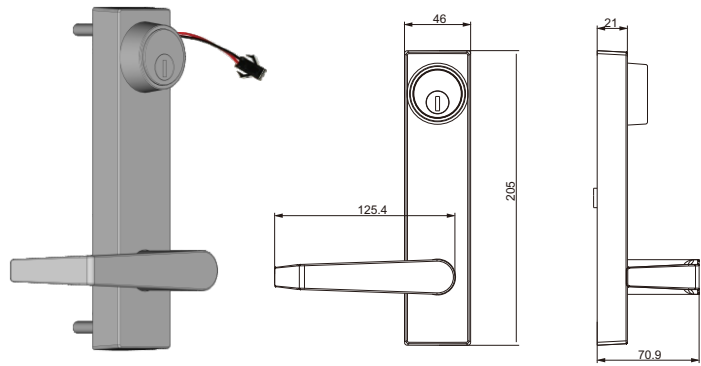
### CMPA410-TD-EL/EU

1. Operation voltage: 12/24VDC, 12-24VDC
2. Operation current: 300/150mA
3. Fail safe/fail secure
4. Non-handed
5. Free wheel, clutch design
6. Interchangeable core cylinder, core 31.9mm, is optional: CMPA410-ACC-TD-EL/EU:



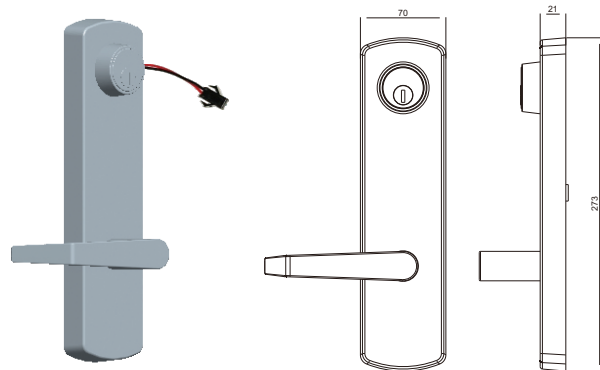
### CMPA420-TD-EL/EU

1. Operation voltage: 12/24V DC
2. Operation current: 300/150mA
3. Fail safe/Fail secure
4. Non-handed
5. Interchangeable core cylinder, core 31.9mm, is optional: CMPA420-ACC-TD-EL/EU



### CMPA430-TD-EL/EU

1. Operation voltage: 12/24VDC, 12-24VDC
2. Operation current: 300/150mA
3. Fail safe/fail secure
4. Non-handed
5. Free wheel, clutch design
6. Interchangeable core cylinder, core 31.9mm, is optional: CMPA430-ACC-TD-EL/EU

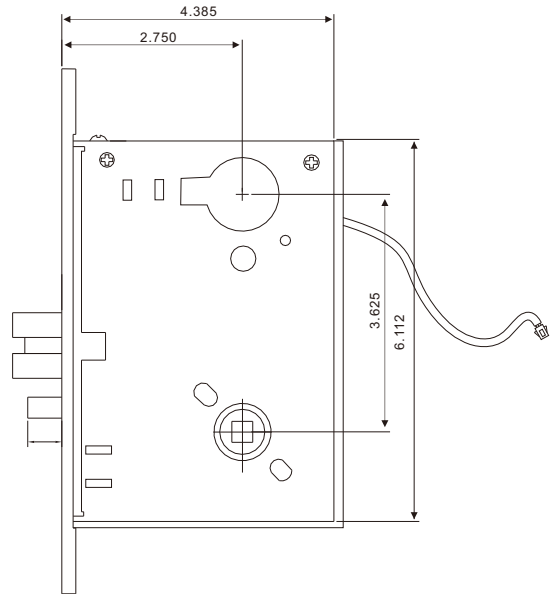
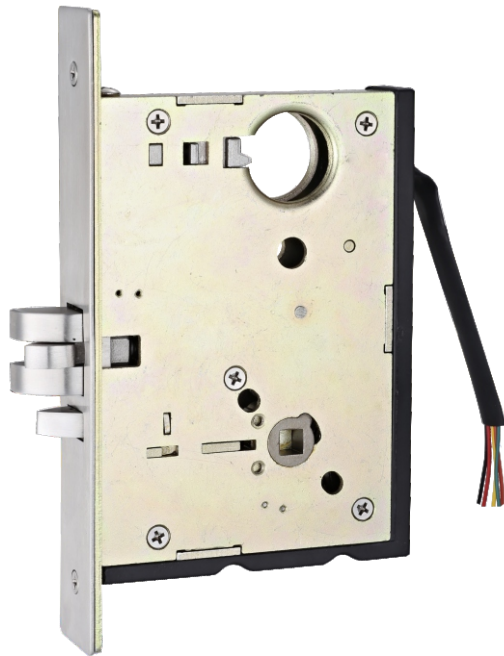




**ANSI  
Electrified Mortise Locks  
Electrified Escutcheon Trims**



CML850 Electrified mortise lock(solenoid driving)  
 CML850EU-REX-ALM-LM-KO-DP(switches)-SSS(finish)-304/316(material)



The CML850 series electrified mortise lock utilizes CML800 series mortise mechanical platforms, it is suitable for all commercial applications.

The lock can be operated by intercom systems and key switches or integrated with electronic access control systems for use with higher security devices such as keypads or card readers. Designed with flexibility in mind, the one lock can cover all functions and is easily configured on site for the required application. Non monitored and monitored versions are available.

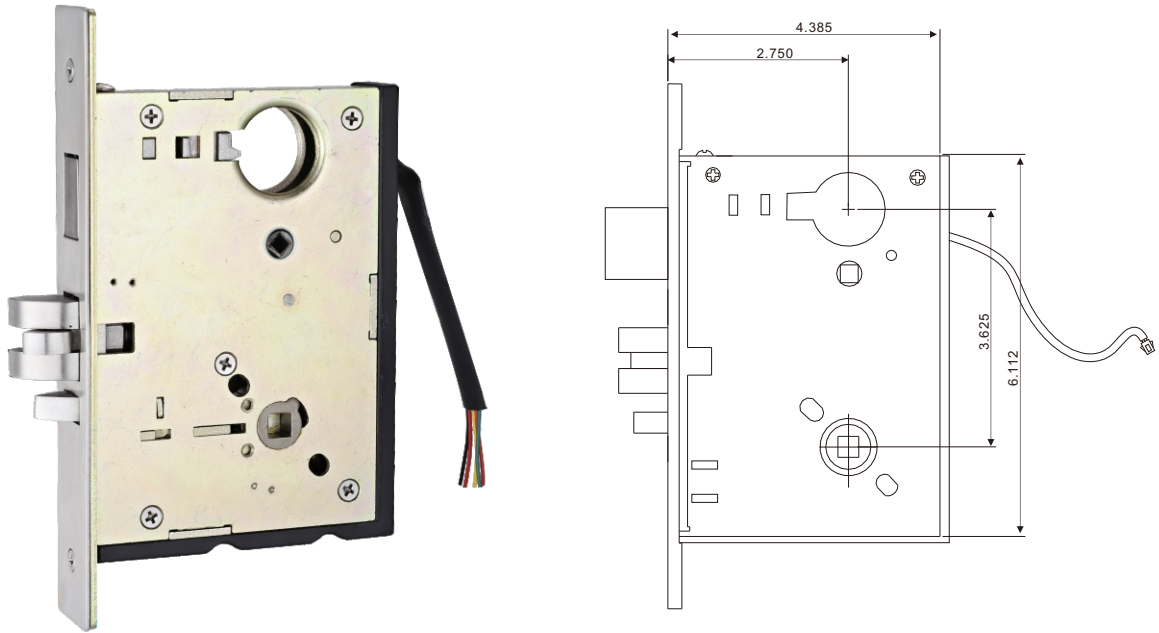


Certificate:

- A) A156.13, grade 1
- B) A156.25
- C) A156.5
- D) UL294
- E) UL10C&CAN-ULC-S104

Voltage	12V DC, 24V DC or 12-24V DC optional operating voltage
Current	300mA/150mA
Monitoring	Handle, request to exit (REX)
	Latch bolt (LM)
	Auxiliary latch (ALM)
	Key override (KO)
	Door position (DP)
Fail secure/Fail safe	
Environment	Operational temperature range -20°C to +60°C
Backset	70mm
Distance	92mm
Latchbolt	Stainless Steel 304, projection 19mm
Door thickness	Standard applications 35 to 64mm
Door Clearance	3-6.5mm
Non-handed	
Cylinder	Standard Camax round shaped cylinders
Furniture	Compatible with Camax series door furniture
Standard Finishes	Satin finish

CML855, with deadbolt(Solenoid driving)  
 CML855EL-REX-ALM-LM-DM-KO(switches)-SSS(finish)-304/316(material)



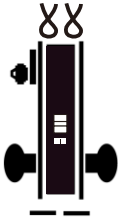
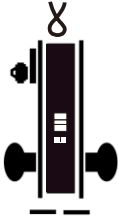
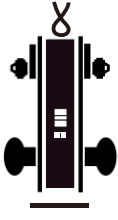
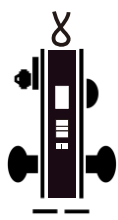
The CML850 series electrified mortise lock utilizes CML800 series mortise mechanical platforms, it is suitable for all commercial applications.

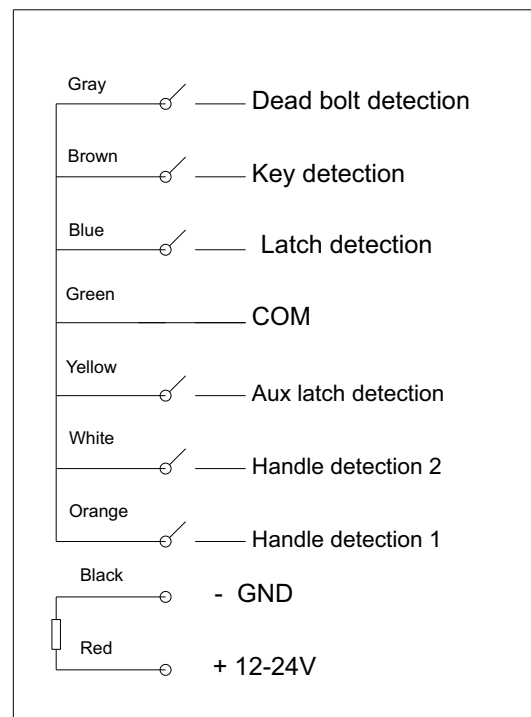
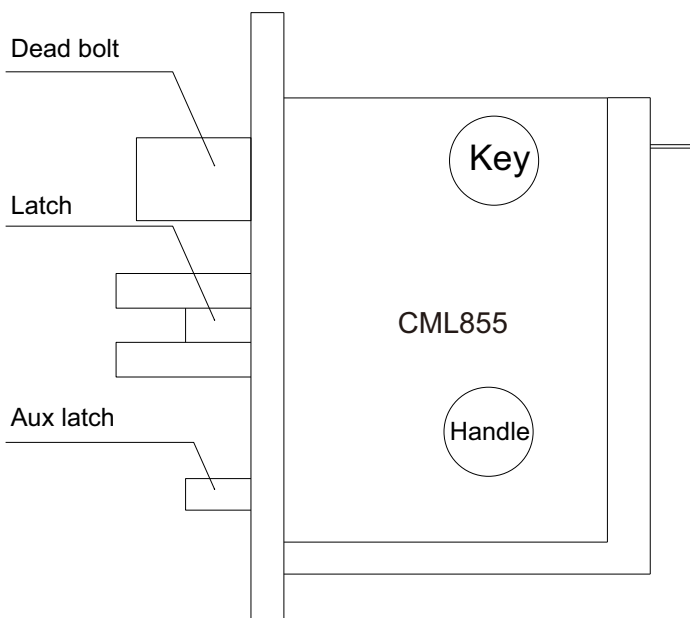
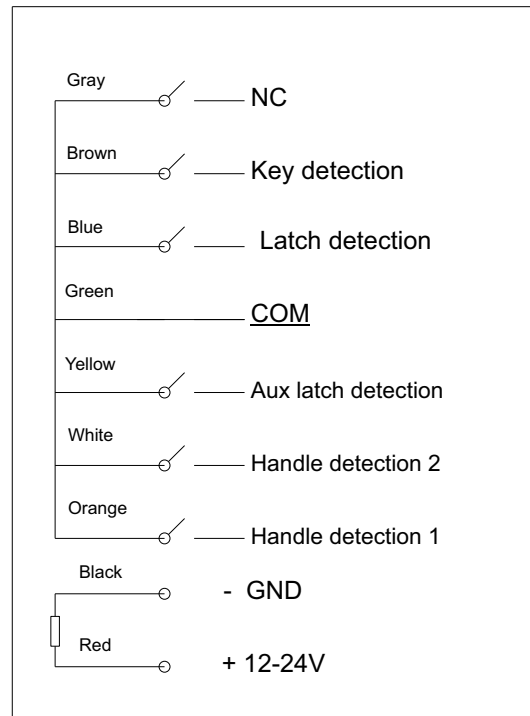
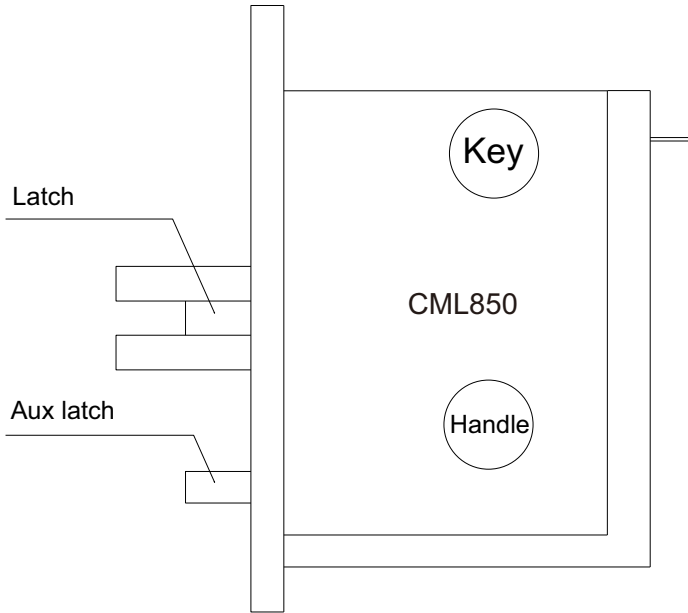
The lock can be operated by intercom systems and key switches or integrated with electronic access control systems for use with higher security devices such as keypads or card readers. Designed with flexibility in mind, the one lock can cover all functions and is easily configured on site for the required application. Non monitored and monitored versions are available.



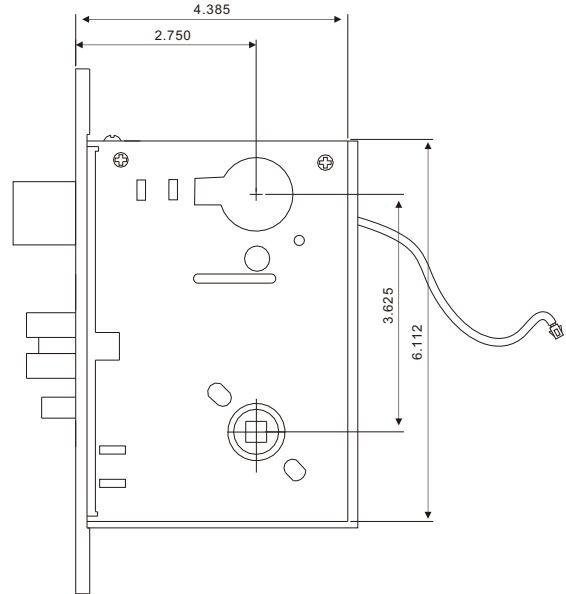
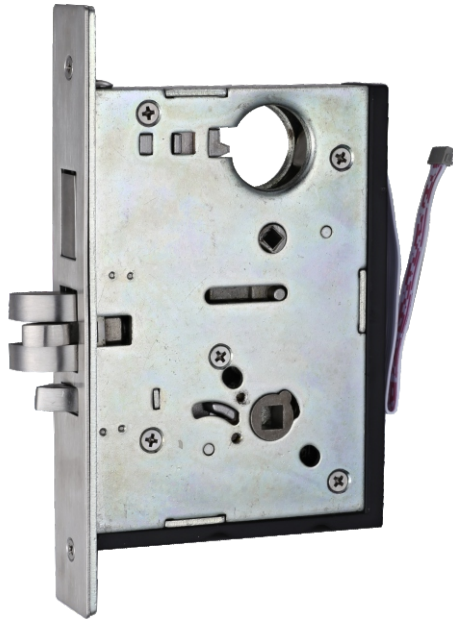
- Certificate:  
 A) A156.13, grade 1  
 B) A156.25  
 C) A156.5  
 D) UL294  
 E) UL10C&CAN-ULC-S104

Voltage	12V DC, 24V DC or 12-24V DC optional operating voltage
Current	300mA/150mA
Monitoring	Handle, request to exit (REX)
	Latch bolt (LM)
	Auxiliary latch (ALM)
	Dead bolt (DM)
	Key override (KO)
Fail secure/Fail safe	
Environment	Operational temperature range -20°C to +60°C
Backset	70mm
Distance	92mm
Latchbolt	Stainless Steel 304, projection 19mm
Door thickness	Standard applications 35 to 64mm
Door Clearance	3-6.5mm
Non-handed	
Cylinder	Standard Camax round shaped cylinders
Furniture	Compatible with Camax series door furniture
Standard Finishes	Satin finish

Outside Inside	SKU	Type	Function Description
	CML850ES	Electrically Secure and Safe, split spindle CML850EL+ES1-TD-EU	Outside levers unlocked by 12V or 24V DC electrically, power failure keeps outside lever locked; Inside levers locked by 12V or 24V DC electrically, power failure keeps inside lever unlocked; Auxiliary latch deadlocks latchbolt when door is closed. Latchbolt retracted by key outside any time
	CML850EU	Electrically Unlocked, split spindle	Outside lever unlocked by 12 or 24V DC. Latchbolt retracted by key outside or by inside lever. Switch or power failure keeps outside lever locked. Auxiliary latch deadlocks latchbolt when door is closed. Inside lever is always free for immediate egress. Keys are for the emergency.
	CML850EL	Electrically Locked, split spindle	Outside lever continuously locked by 12 or 24V DC. Latchbolt retracted by key outside or by inside lever. Switch or power failure allows outside lever to retract latchbolt. Auxiliary latch deadlocks latchbolt when door is closed. Inside lever is always free for immediate egress. Keys are for the emergency.
	CML852EU	Electrically Unlocked Both Sides, Solid spindle	Outside and inside levers unlocked electrically. Latchbolt retracted by key either side. Switch or power failure keeps inside and outside levers locked. Auxiliary latch deadlocks latchbolt when door is closed. Keys are for the emergency.
	CML852EL	Electrically Locked Both Sides, Solid spindle	Outside and inside levers continually locked electrically. Latchbolt retracted by key either side. Switch or power failure allows inside and outside levers to retract latchbolt. Auxiliary latch deadlocks latchbolt when door is closed. Keys are for the emergency.
	CML855EU	Electrically Unlocked (with deadbolt), split spindle	Function same as CML850EU, deadbolt as additional point of locking. Deadbolt thrown and retracted by key outside and thumbturn inside. Also could be retracted by both sides lever. Inside lever is always free for immediate egress. Auxiliary latch deadlocks latchbolt when door is closed. Keys are for the emergency.
	CM855EL	Electrically Locked (with deadbolt), split spindle	Function same as M850EL, deadbolt as additional point of locking. Deadbolt thrown and retracted by key outside and thumbturn inside. Also could be retracted by both sides lever. Inside lever is always free for immediate egress. Auxiliary latch deadlocks latchbolt when door is closed. Keys are for the emergency.



CML860 Electrified mortise lock(Motor driving)  
 CML860-REX-ALM-LM-DM-KO-NM(No motor)



The CML860 series electric mortise lock is utilizes CML800 series mortise mechanical platforms, it is suitable for all standalone applications.

Non monitored and monitored versions are available.

Compliance:

ANSI/BHMAA156.25-2007, grade 1

ANSI/BHMAA156.13-2005, grade 1

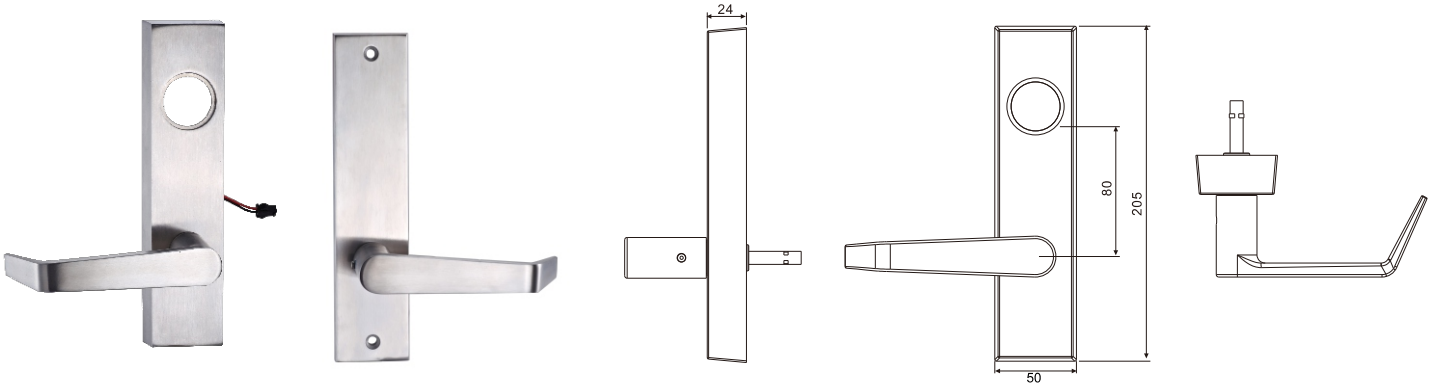
UL 10C fire rated 3 hours.

Voltage	4V-6VDC
Monitoring	Handle, request to exit (REX)
	Latch bolt (LM)
	Auxiliary latch (ALM)
	Dead bolt (DM/DND)
	Key override (KO)
Environment	Operational temperature range -20°C to +60°C
Backset	70mm
Distance	92mm
Latchbolt	Stainless Steel 304, projection 19mm
Deadbolt	Stainless Steel 304, projection 25.4mm
Door thickness	Standard applications 35 to 64mm
Door Clearance	3-6.5mm
Non-handed	
Cylinder	Standard Camax round shaped cylinders
Furniture	Compatible with Camax series door furniture
Standard Finishes	Satin finish

# ES1-TD(Solenoid driving)

## Electrified trim for ANSI mortise lock

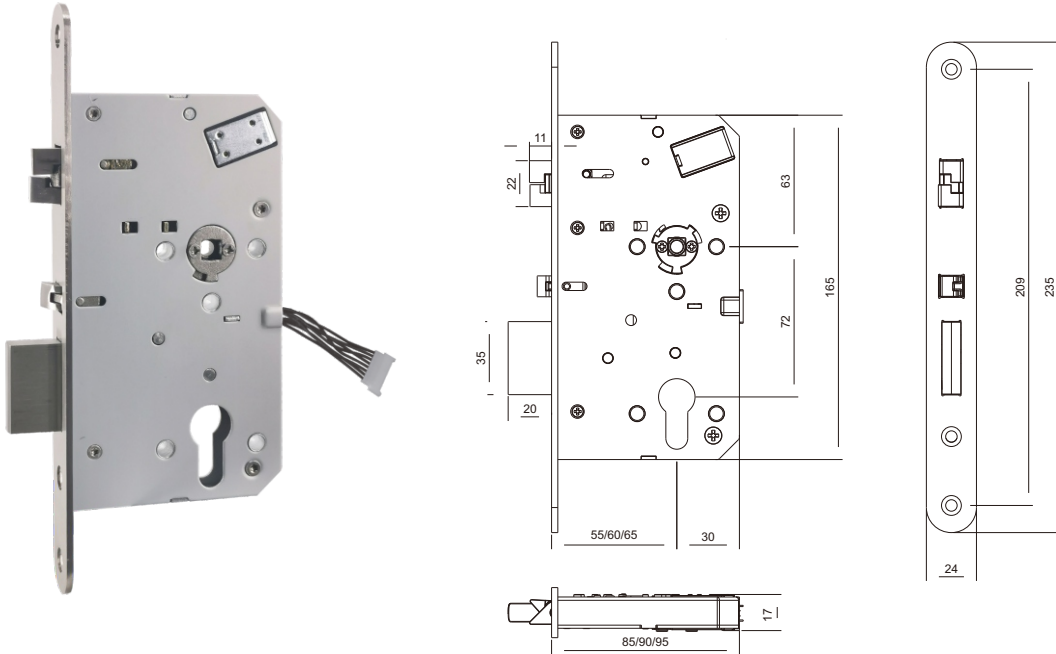
- 1. Operation voltage: 12-24V DC
- 2. Operation current: A300/150mA
- 3. Fail secure
- 4. Non-handed
- 5. Stainless steel 304





**Euro Profile  
Electrified Mortise Locks**

72-55/60/65TD(Solenoid driving)  
 72-60TD-S24-FA01-S/T(spindle)-EL/EU-SSS(finish)-304/316(material)



**Specification:**

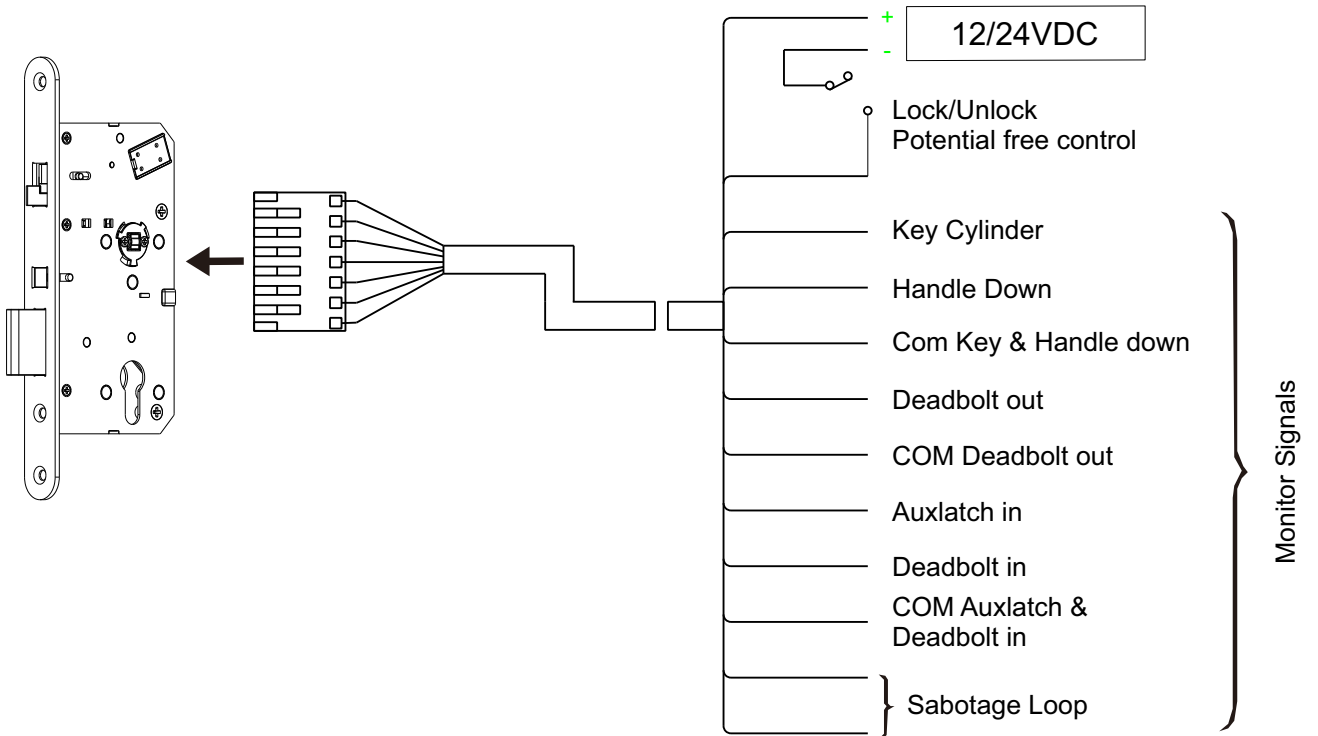
1. Automatic deadbolt locking
2. Exit side can be changed over
3. Controllable outside handle
4. Double action latch
5. Bolt projection, one throw, 20mm
6. Free wheel, clutch design
7. Changed EL/EU on site
8. Suitable for fire rated door



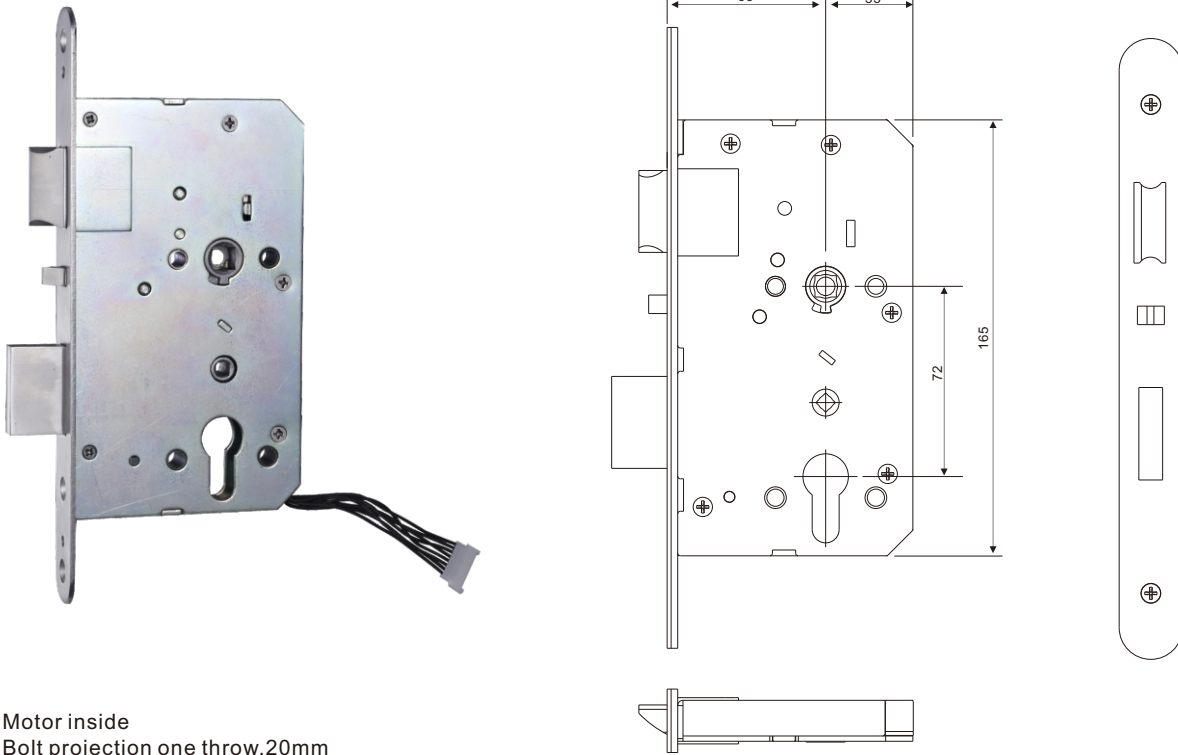
**Certificate(Pending):**

- EN12209-2016 : 3X9-0G20
- EN179 : 376B1342AB
- EN1125 : 376B1321AA
- EN1634-1 : fire rated 4 hours
- EN14846 : 3S8F-L611
- EN61000-6-1, EN61000-6-3

Voltage	12-24V DC optional operating voltage
Current	300mA/150mA
Monitoring functions	• Door status
	• Handle down
	• Bolt deadlocked
	• Lock open
	• Key cylinder used
	• Sabotage loop
S: Split spindle; T: Straight spindle	
Fail secure/Fail safe	
Environment	Operational temperature range -20°C to +60°C
Backset	55/60/65mm
Distance	72mm
Door thickness	Standard applications 35 to 64mm
Door Clearance	3-6.5mm
Non-handed	
Cylinder override	
Furniture	Compatible with Camax series door furniture
Standard Finishes	Satin finish



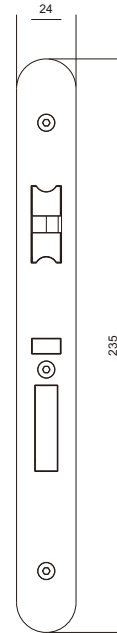
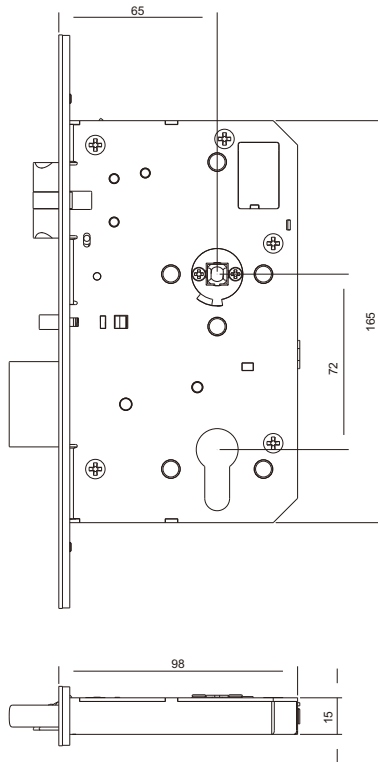
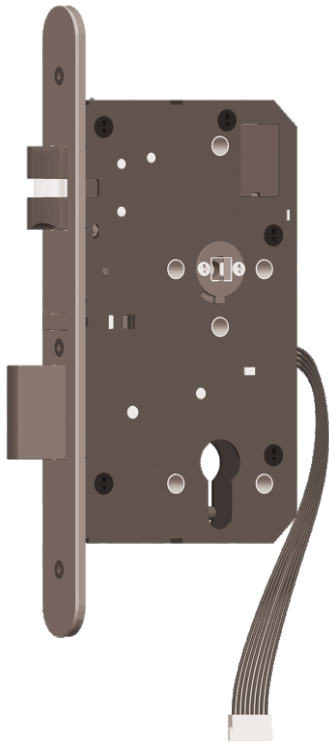
72-65TM(Motor Driving)  
72-65TM-LM-ALM-DM-HD-KO



- 1.Motor inside
- 2.Bolt projection one throw,20mm
- 3.With auxiliary latchbolt
4. With mechanical thumbturn function (DND)
- 5.Handed
- 6.Suitable for electronic hotel lock

Voltage	4V-6VDC
Monitoring	Handle down (HD)
	Latch (LM)
	Auxiliary latch (ALM)
	Dead bolt (DM/DND)
	Key override (KO)
Environment	Operational temperature range -20°C to +60°C
Backset	65mm
Distance	72mm
Latchbolt	Stainless Steel 304, projection 15mm
Deadbolt	Stainless Steel 304, projection 21mm
Door thickness	Standard applications 35 to 64mm
Door Clearance	3-6.5mm
Handed	
Cylinder	Standard European profile cylinders
Furniture	Compatible with Camax series door furniture
Standard Finishes	Satin finish

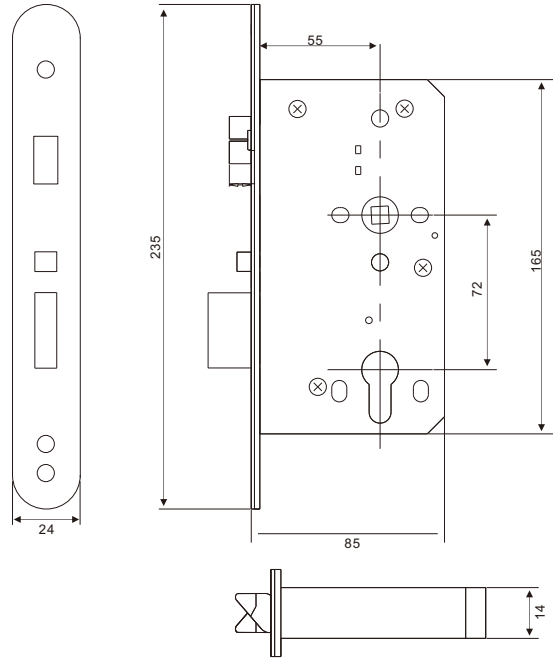
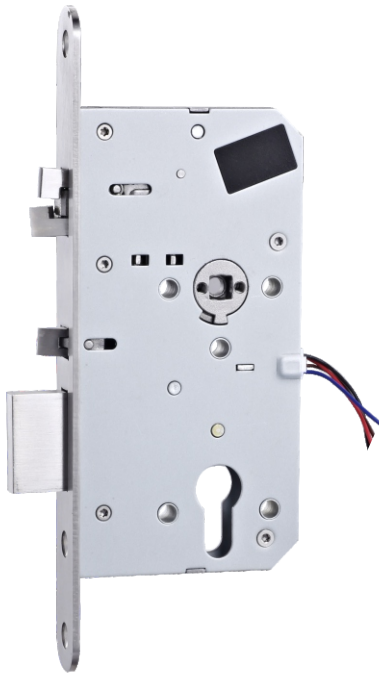
# 72-65TMB(Motor Driving) 72-65TMB-LM-ALM-DM-HD-KO



When the door is closed, the lock becomes automatically locked. The deadbolt throws out and the latch bolt is blocked. When the controlled handle or panic handle is down, the deadbolt is retracted inside the lock case and the latch bolt is released consequently. Mechanical opening using key cylinder is always available from both sides and the lock can be opened with inside handle (anti-panic feature). The lock does not have a thumbturn (DND function).

Voltage	4V-6VDC
Monitoring	Handle down (HD)
	Auxiliary latch (ALM)
	Dead bolt (DM)
	Key override (KO)
Environment	Operational temperature range -20°C to +60°C
Backset	55mm
Distance	72mm
Latchbolt	Stainless Steel 304
Deadbolt	Stainless Steel 304, projection 21mm
Door thickness	Standard applications 35 to 64mm
Door Clearance	3-6.5mm
Non-handed	
Cylinder	Standard European profile cylinders
Furniture	Compatible with Camax series door furniture
Standard Finishes	Satin finish

72-55TMC(Motor driving)  
72-55TMC-ALM-DM-HD-KO



When the door is closed, the lock is automatically locked. The deadbolt throws out and the latch bolt is blocked. When the controlled handle or panic handle is down, the deadbolt is retracted inside the lock case and the latch bolt is released consequently.

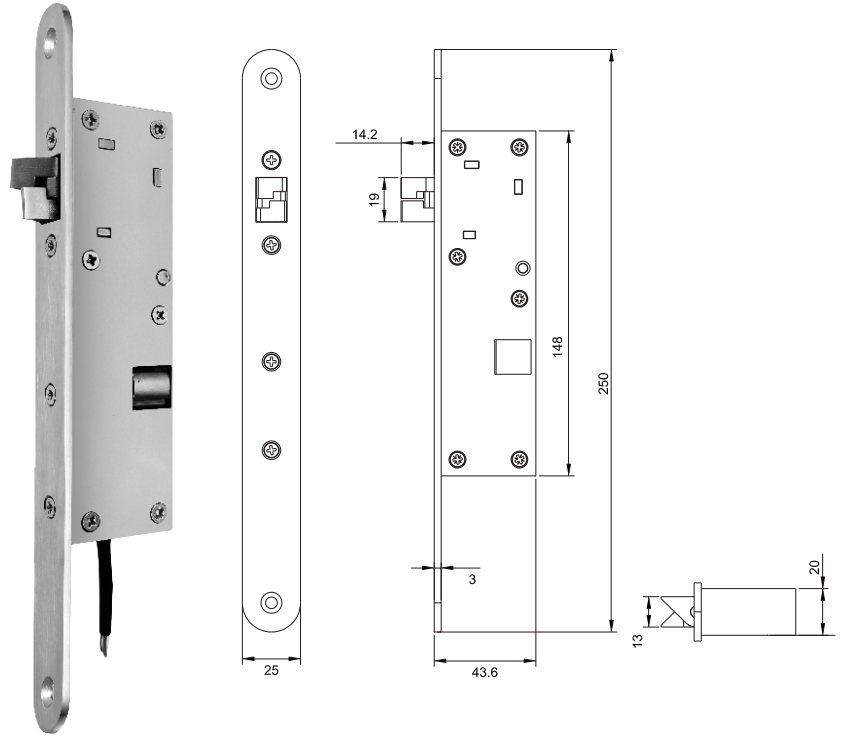
Mechanical opening using key cylinder is always available from both sides and the lock can be opened with inside handle (anti-panic feature).

The lock does not have a thumbturn (DND function).

Voltage	4V-6VDC
Monitoring	Handle down (HD)
	Auxiliary latch (ALM)
	Dead bolt (DM)
	Key override (KO)
Environment	Operational temperature range -20°C to +60°C
Backset	55mm
Distance	72mm
Latchbolt	Stainless Steel 304
Deadbolt	Stainless Steel 304, projection 21mm
Door thickness	Standard applications 35 to 64mm
Door Clearance	3-6.5mm
Non-handed	
Cylinder	Standard European profile cylinders
Furniture	Compatible with Camax series door furniture
Standard Finishes	Satin finish

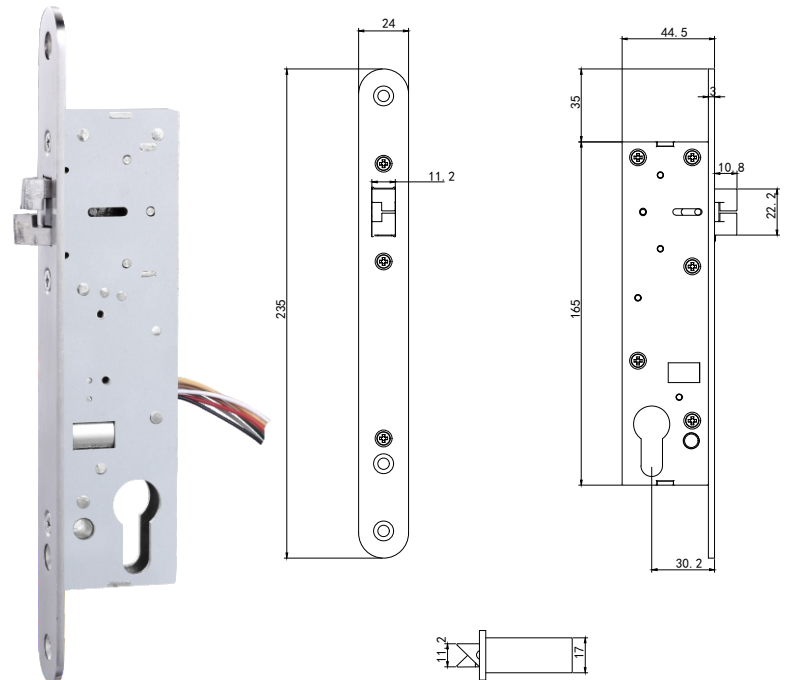
### 40TDA (Solenoid driving)

1. Operation voltage: 12-24VDC
2. Operation current: 150/90mA
3. Fail safe
4. Non-handed
5. Stainless steel 304
6. Monitoring: latchbolt
8. Operation temperature: -20°C-60°C



### 40TDB(Solenoid driving) 40TDB-LM-KO

1. Operation voltage: 12-24VDC
2. Operation current: 150/90mA
3. Monitor key override optional
4. Fail secure
5. Non-handed
6. Stainless steel 304
7. Monitoring: latchbolt, key override
8. Operation temperature: -20°C-60°C

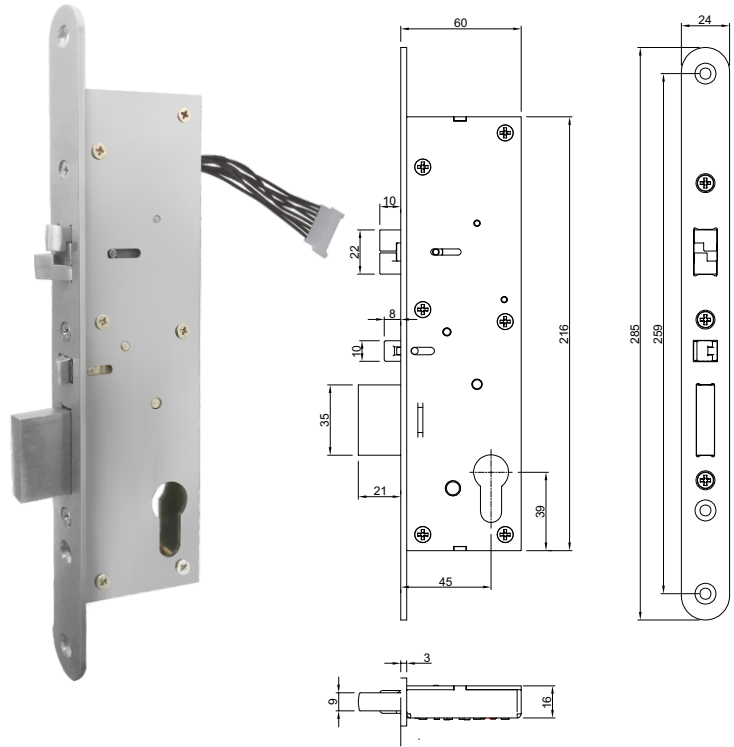


# 45D-TM(Motor driving) 45D-TM-LM-ALM-DM-KO

Automatic deadbolt thrown when the door is closed.  
Motor inside to drive deadbolt retraction.

Key override

1. Operation voltage: 12-24V DC
2. Operation current: 110mA
3. Monitor latch, auxiliary latch, deadbolt, key override
4. None handed
5. Stainless steel 304
6. Backset: 45mm
7. Non-handed
8. Operation temperature: -20°C-60°C



# Electronic Locks

## wLock-20

The wLock20 is a multi-purpose commercial electronic lock. The electronic escutcheon plate can work with mechanism lock backset 72/85/92, it is easy to update the mechanism to electronic control. It can record upload events wireless in real time. The wireless communication range is up to 100m, and it can run for 1-2 years using only 2 AA batteries. There are 3 working modes to adapt to different application scenarios. It is suitable for office, government and school premises.

1. 2 AA battery, standby 1-2 years
2. Long range wireless technology, 100 meters
3. Users record 1,000
4. Event records 5,000
5. Real time upload events
6. Editable time zones
7. Editable holiday plans
8. Remote controlled
9. Card 13.56Mhz.
10. Card protocol is ISO/IEC14443A/B
11. Cards supported: Mifare 1K, 4K, Mifare Ultralight, Mifare DESfireEV1, EV2 and Mifare Plus RF
12. Three working modes: online, offline and standalone
13. BLE is optional
14. SDK
15. Mobile application with local management
16. Inside clutch design, high security
17. Lock backset: 72, 85, 92mm



Mifare card



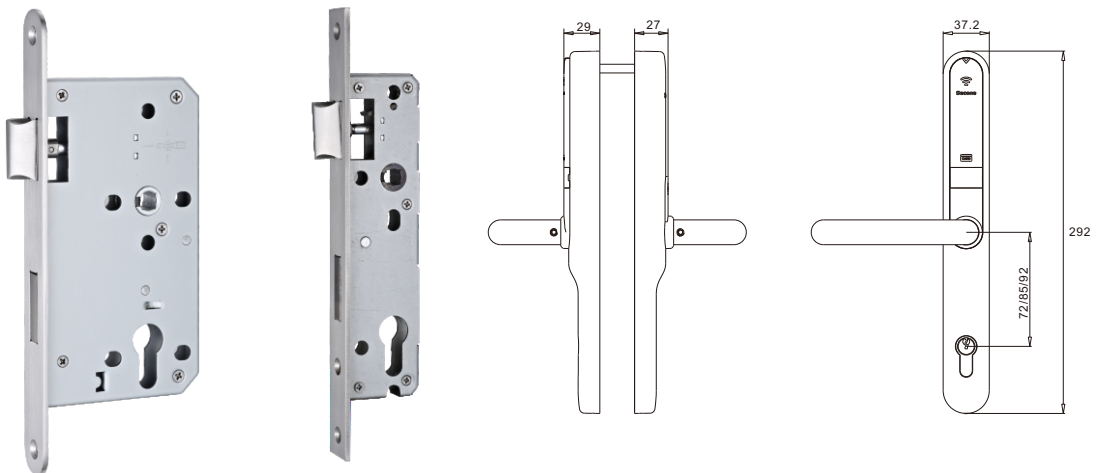
Key



Wireless



wLock-20

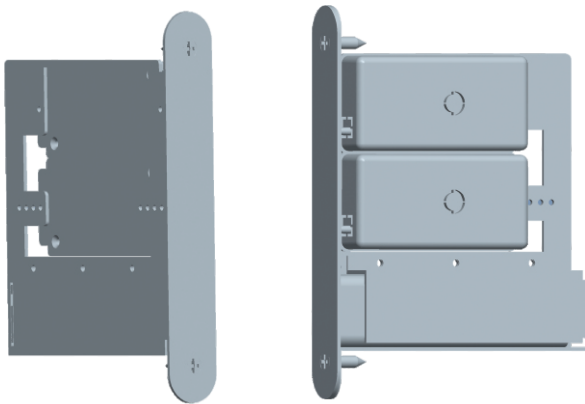


## ELC modular

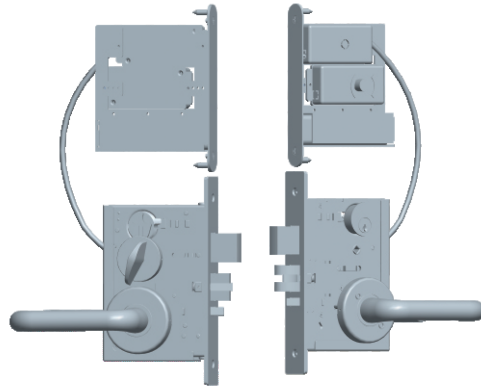
ELC electronic control modular designs for all Camax's motor driving clutch electrified mortise locks. The assembly with different locks creates a powerful battery-powered electronic lock, suitable for various applications, including offices, shopping malls, hotels, hospitals, government departments, etc. Available products : CML860-ELC, 72-65TM-ELC, 72-55/65TMB-ELC, 72-55/65TMC-ELC.

### Specification:

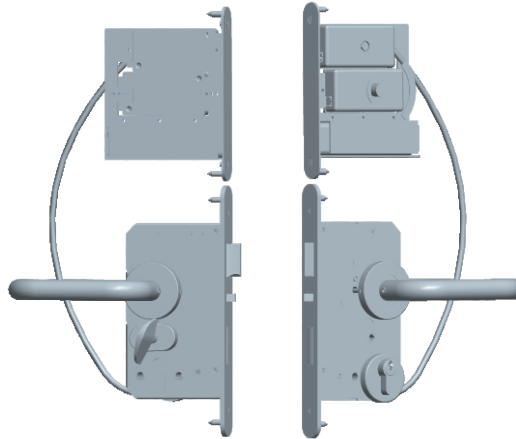
1. Built-in card reader.
2. 13.56Mhz card reading technology
3. Support ISO/IEC14443A/B,Mifare1 S50, S70, DEV1/2, DEV1and DEV2.
4. Dual-color indicator light.
5. Card reading indicator can be customized.
6. Records up to 6,000.
7. Offline users up to 1,000.
8. Built-in 433MHz wireless technology, easy to connect to Camax's wireless Hub
9. BLE Optional.
10. Powered by 4 AA batteries, standby up to 2 years.
11. With emergency power supply interface.
12. Backset 55/60/65/70, adjustable on site.
13. SDK development kit available.
14. Third-party integration available.
15. Three working modes: standalone, offline, online.
16. Offline hotel lock management mode available.
17. Mobile phone management available.



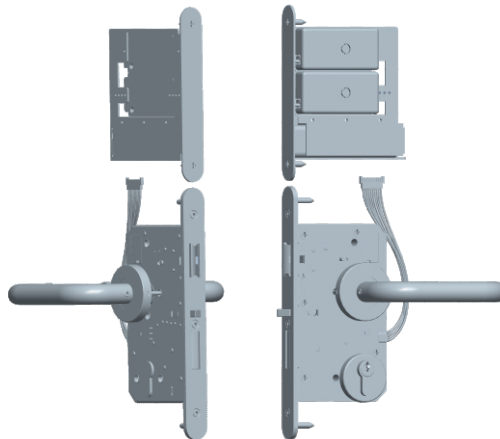
CML860-ELC



72-65tm\_asm-ELC

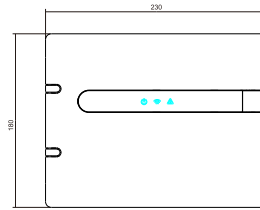


72-60tmb-ELC



# Hub and Control Box

## AC-100

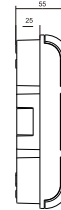
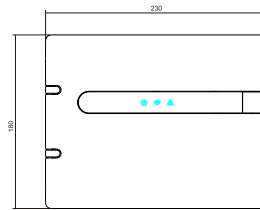


AC-100 is a full function hub. It supports all Camax wireless devices and Wiegand protocol.

### Specification

1. One hub manages up to 64 wireless devices.
2. 4 ports of Wiegand 26 or 34 wall cardreaders and door contact.
3. Auto-detect nearby wireless devices
4. Long range wireless technology, 100 meters
5. Support up to 60,000 users
6. Real-time transmission
7. Built-in hardware watchdog and self-inspection circuit ensures steady and reliable operation of the hardware
8. Power: 12VDC
9. Current: 3A

## MB-100



MB-100 is a POE hub, it support all Camax wireless devices

### Specification

1. One hub manage wireless devices up to 64
2. Auto-detect nearby wireless devices
3. Long range wireless technology, 100 meters
4. Users up to 60,000
5. Real-time transmission
6. Built-in hardware watchdog and self-inspection circuit ensures steady and reliable operation of the hardware
7. Power: POE or 5V, 1A optional

## ASPC-100

### Single door access control unit

1. 3x Dry signal output
2. 3x Dry signal input
3. Include
4. Power: 110-220V
5. 2x 12/24V DC output
6. 2x reset buttons
7. Anti-surge and anti-overload design
8. Bee to alarm
9. Light indication
10. Serial-port communication, can function as an expansion board for the access control main board.



## ASPC-200

### Access Control Box

Size 330mmX240mmX65mm

1. Include all function of single door access control unit
2. 4x single door access control unit + 1x AC100
3. Power: 110-220V





# Encoder and Card Readers



## DE301 Reader

This contactless induction card reader is specially designed for Mifare and CPU card. The data is directly output from DATA0, DATA1 and RS485 in Wiegand 26, Wiegand 34 or RS485 format. It is anti-disassembly, and the motherboard is glued for waterproof and dustproof, it is suitable for outdoor.

Size: 103\*50\*21 (mm)

Protocol: ISO/IEC14443A/B

Card reader type: CPU and Mifare 1K/4K, Mifare ultralight,  
Mifare DESfire EV1/2 and Mifare Plus RFCard

Card reading distance: <15mm

Reading time: <0.5s

Output format: Wiegand26/34, Rs485

Working voltage: 12~24V DC

Working current: 12V DC, <60mA, static 30mA  
24V DC, <30mA, static 15mA

Working temperature: -25~65 degrees Celsius

Working humidity: 10~95%

	Black		①	GND
	Red		②	+
	Orange		③	485-B
	Purple		④	485-A
	Blue		⑤	LED signal
	Yellow		⑥	Buzzer signal
	Grey		⑦	Wiegand 26/34
	Green		⑧	D0
	White		⑨	

## De302 Reader with key pad



This contactless induction card reader is specially designed for Mifare and CPU card.  
The data is directly output from DATA0, DATA1 and RS485 in Wiegand 26, Wiegand 34 or RS485 format. It is anti-disassembly, and the motherboard is glued for waterproof and dustproof, it is suitable for outdoor.

Size: 115\*75\*15.5(mm)

Protocol: ISO/IEC14443A/B

Card reader type: Mifare 1K/4K, Mifare ultralight, Mifare DESfireEV and Mifare Plus RF

Card reading distance: <55mm

Reading time: <0.5s

Output format: Wiegand26/34, Rs485

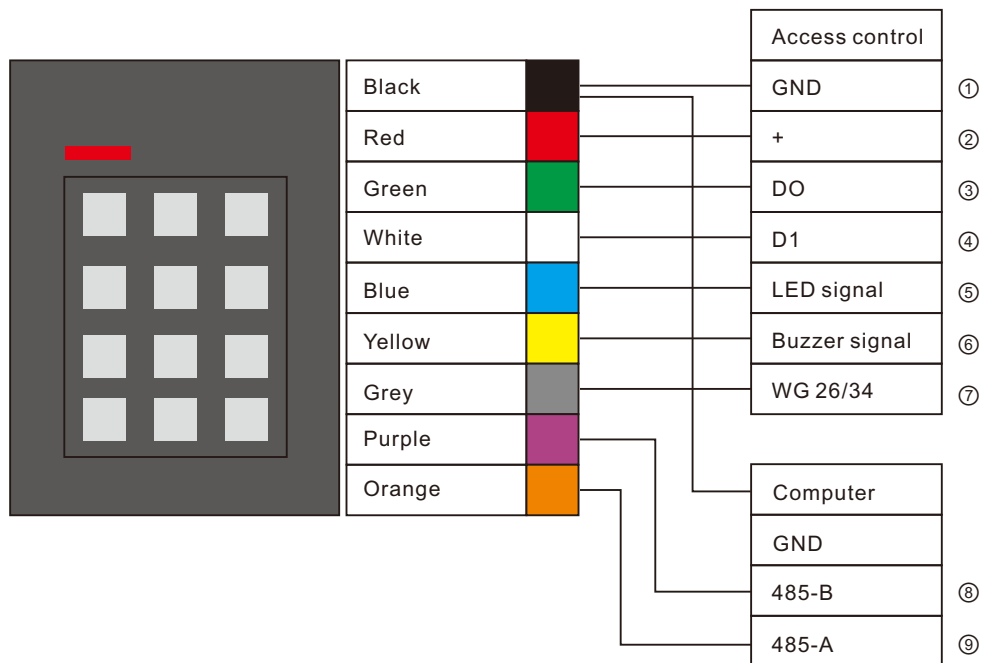
Working voltage: 12~24V DC

Working current: 12V DC, <60mA, static 35mA

24V DC, <40mA, static 25mA

Working temperature: -25~65 degrees Celsius

Working humidity: 10~95%





## WCR-100 Card reader+Keypad

The wall card reader install on the wall and control the electronic lock . The LCD display the door number or information. It can apply to room door or corridor door.

1. Voltage: 12/24V
2. Wireless (433) module optional.
3. POE optional.
4. BLE 5.0 optional.
5. Changeable Room Number card.
6. Multiple Room number back light.
7. Boor bell.
8. DND status indicator.
9. Glass panel with black or customized design.
10. 5000 events offline. No limit on line.
11. 1000 offline user. No limit on line.
12. 13.56Mhz RFID technology.
13. LCD display optional.
14. Electronic/Motor mortise lock application.
15. Electronic magnetic lock application.
16. REX, LM, DND, Key and ALM five monitor on door.



## EN-NW-01 Encoder

1. TCP/IP connects to the server platform.
2. POE power supply.
- 3.USB power supply 5V DC is optional.
4. Color LCD display.
5. Multi-color LED indicator light.
  - (1) Blue: power supply.
  - (2) Red: Operation failed.
  - (3) Green: The operation is successful.
6. Buzzer.
7. USB to serial port.
8. 13.56Mhz 14443A technology.
9. Support key cards, keychains and wristbands.
10. Initialize button.
11. When using the POE port, the client workstation does not need to install software or drivers.
12. Configurable web interface.
13. Various versions depending on PC connection (Ethernet/LAN or USB serial port).

# Power Transfer Devices

## Electrified Butt Hinge

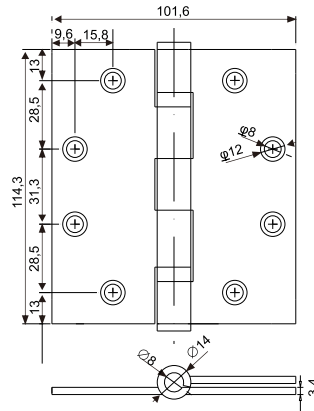
TD504034

TD454034

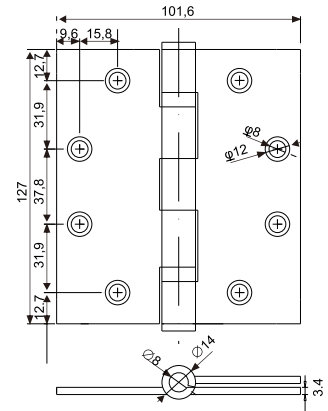
Compliance to ANSI/BHMAA156.1, grade 1

Cables up to 8 pins

Material: stainless steel



D454034-2BB



D504034-2BB

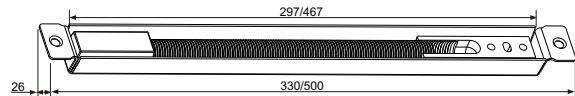
## Power Transfer Device

PTD200/PTD500

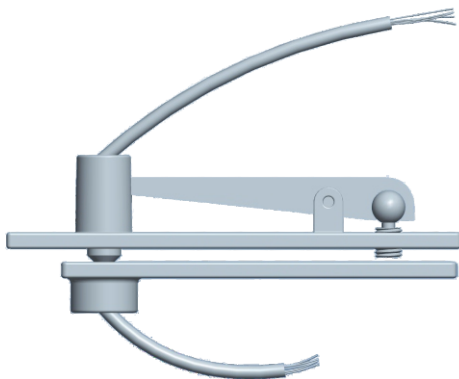
Material: stainless steel 304

PTD200: length 330

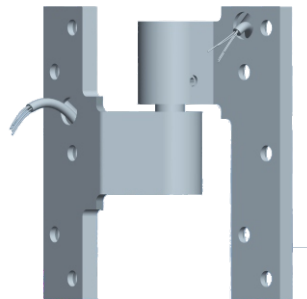
PTD500: length 500



## Electrified Pivots



ADL250-T-W



AD300-2-W

# Electromagnetic Locks Electric Strikes

S172-Y



S172-E



ES-13



ES-20



ES-21



## Electromagnetic lock for single door

### Specifications:

Voltage Input: 12 VDC/24 VDC  
 Current Draw: 12V/500mA; 24V/250mA (+5%)  
 Holding Force: Up to 600lbs (272 kg)  
 Hall Effect Contact: SPDT rated 2A at 24 VDC  
 Anti-Rust Surface Treatment: Blue Zinc Plating  
 Operating Temperature: 0~55°C (32~131°F)  
 Operating Humidity: 0~95% (non condensing)  
 Weight (Magnet): 1.1kg (±1%)

### Dimensions:

Magnet- (L)250x(W)42x(T)25 mm  
 Armature - (L)1 80x(W)38x(T)11 mm

## Electromagnetic lock for double door

### Specifications:

Voltage Input: 12 VDC/24 VDC (per Magnet)  
 Current Draw: 12V / 500mA; 24V / 250mA (+5%)  
 Holding Force: Up to 600 lbs x2 (272 kg x2)  
 Hall Effect Contact: SPDT rated 2A at 24 VDC  
 Anti-Rust Surface Treatment : Blue Zinc Plating  
 Operating Temperature: 0~55°C (32~131°F)  
 Operating Humidity: 0~95% ( non condensing)  
 Weight (Magnet): 2.2kg (±1 %)

### Dimensions:

Magnet - (L)500x(W)42x(T)25 mm  
 Armature - (L)1 80x(W)38x(T)11 mm

## ANSI Electric Strike

### Specifications:

Voltage input: DC12V(24V option)  
 Current draw: 220mA  
 Holding Force: up to 500kg  
 Operating temperature: -10~+55C  
 Operating humidity: 0~95%  
 Output: NO, COM, NC  
 Finish: SS

Lock type: power-on lock or power-off lock  
 Size: 124mmx43mmx35mm

## Electric Strike for Panic Exit Device

### Specifications:

Voltage input: DC12V/24V  
 Current draw: 12V/220mA or 24V/110mA  
 Holding force: up to 1,000kg  
 Operating temperature: -10~+55°C  
 Finish: powder coating, latch harden  
 Lock type: power-on lock or power-off lock  
 Open degree: 90  
 Work with panic exit device  
 Size: 230mmx40mmx30mm

## Electric Strike for Panic Exit Device

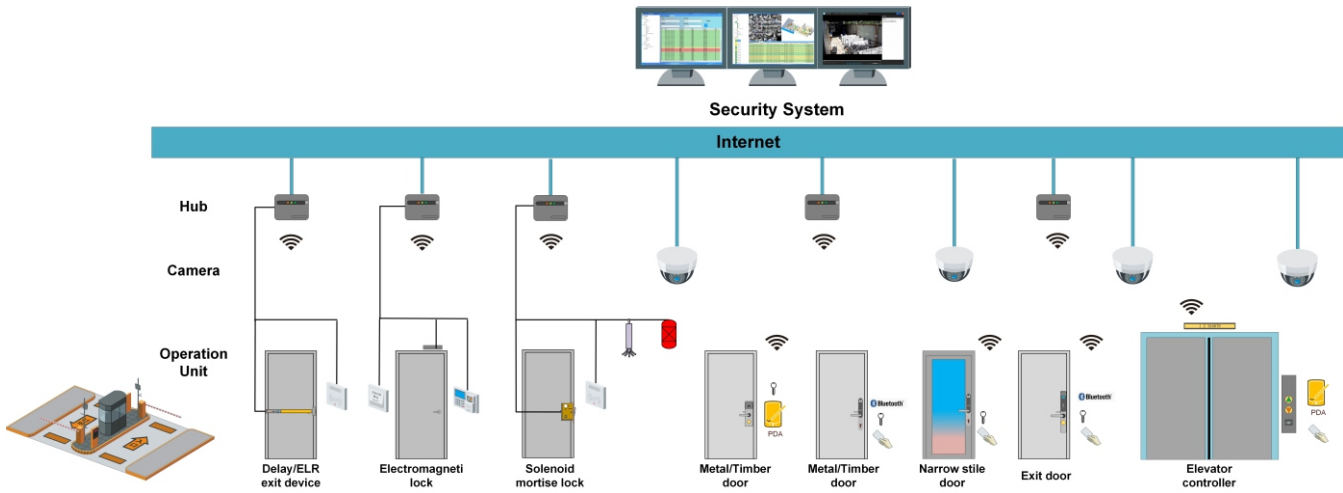
### Compliance: BS EN1154:1997

GB122905-2008, fire rated, 90 minutes  
 Function: Adjustable closing & latching speed  
 Suitable for wooden and metal door  
 Optional built in HOLD-open  
 Non-handed  
 Material: Casting aluminum alloy body  
 Finish: Silver, optional golden  
 Feature: Spring power EN1-5, door weight 15-120KG  
 Max door width 1 600MM  
 Max opening angle is 120 degrees  
 Closing speed adjustable in the range 120-0 degree  
 Latching speed adjustable in the range 15-0 degree  
 Min door thickness: metal door 32mm, wooden door 42mm

**SeconeBSS**

**Integrated Access Control & Video  
Management Solutions**

## SeconeBSS(Integrated access control & Video management solutions)



The system delivers seamless integration between access control and video management applications. Giving you control-room functionality, the system brings together your access control and video management systems into one easy to use interface.

1. Wizards, Diagnostic and Emergency recovery functions
2. Sitemaps with Animated Icons
3. Design and Print IC cards
4. System Alarms Activate and Deactivate intruder alarm
5. CCTV integration Fire Alarm interface including muster report

SeconeBSS is a role-based access control software suite with three specialized modules based on user type.

1. INSTALL  
Used by the installer to set up controllers, readers and user profiles.
2. MANAGE  
Used by system administrators to facilitate many database changes required on a day to day basis.
3. MONITOR  
Used by the security guard to view and monitor alarm events.

# SeconeBSS Software Interface



The image displays several screenshots of the SeconeBSS software interface, demonstrating its capabilities in managing access control systems. The screenshots include:

- SeconeBSS card setting interface:** Shows a list of card functions and card types, such as 'Card Function: Event List', 'Card Number: Card Type', and 'Card ID: 55000001'.
- SeconeBSS User Management Interface:** Displays a table of user information, including 'Card Number', 'User Name', 'User ID', and 'User Type'.
- configuration Interface:** Shows a 'Card Number Lock Release' configuration screen with a table of card numbers and their corresponding release times.
- SeconeBSS HR management interface:** Displays a 'Basic Info' section for a user, including 'Name', 'Phone No.', 'Address', and 'Email'.
- Event List HR List:** Shows a table of event logs with columns for 'Time', 'Card Number', 'Event Degree', and 'Event'.
- SQL Account: root:** Multiple instances of the SQL command prompt showing database connections and queries.
- Security Monitoring:** A large grid of live video feeds from various cameras, providing real-time surveillance of the facility.
- Floor Plans:** 3D architectural models of building floors, used for visualizing and managing access points and card reader locations.

# 1. Multi-interface display function



## 2. Main monitoring interface

2 The video monitoring area supports a maximum display of 64 monitoring screens and can also display each monitor screen separately.

3 The map display area can display the monitoring status of electronic locks, access controllers, and panic exit devices. It flashes notifications on the map when real-time events occur.

1 System Resource list. Display all online controlled system resources, including cameras, electronic locks, access controllers and panic exit device.

2 Video monitoring area showing a 64-camera grid.

3 3D floor plan map displaying monitoring status of electronic locks, access controllers, and panic exit devices.

4 Real-time dynamic system event list, which can dynamically display system events, such as door opening status, camera recording status, alarm status and so on.

No	Time	Event Degree	Event	Object ID/IP	Object	Code Num	Administrator name	Remark
	2023-10-20 08:32:09	Warning	Client disconnected	172.16.1.213		172.16.1.91		
	2023-10-20 08:32:09	Warning	Client disconnected	172.16.1.215		172.16.1.91		
	2023-10-20 08:32:09	Status	Server cancel listening	172.16.1.91(60001)	Server	00000001	Super Admin	
	2023-10-20 08:32:16	Warning	Close Software	172.16.1.91	68:ED:A4:23:59:D3	00000001	Super Admin	
	2023-10-20 08:34:13	Warning	Running Software	172.16.1.91	68:ED:A4:23:59:D3	00000001	Super Admin	
	2023-10-20 08:48:13	Warning	Client disconnected	172.16.1.198		172.16.1.90		
	2023-10-20 08:48:13	Warning	Client disconnected	172.16.1.245		172.16.1.90		
	2023-10-20 08:48:13	Status	Server cancel listening	172.16.1.90(60001)	Server	00000001	Super Admin	
	2023-10-20 08:48:20	Warning	Close Software	172.16.1.90	68:ED:A4:23:45:2F	00000001	Super Admin	
	2023-10-20 08:49:27	Warning	Running Software	172.16.1.90	68:ED:A4:23:45:2F	00000001	Super Admin	
	2023-10-20 08:53:30	Status	Server Listening	172.16.1.90(60001)	Server	00000001	Super Admin	
	2023-10-20 08:45:21	Status	Server Listening	172.16.1.91(60001)	Server	00000001	Super Admin	

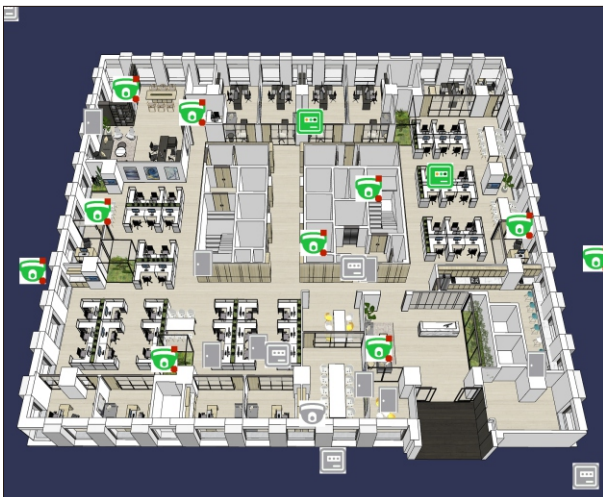
### 3. Flexible remote control function

- Right-click on the main interface to select the electronic lock, and select the function to be controlled in the agent opening menu, such as single door opening. The system will send instructions to the access controller (HUB) of the electronic lock, and when the electronic lock is awakened, the access controller will forward it to the electronic door lock.



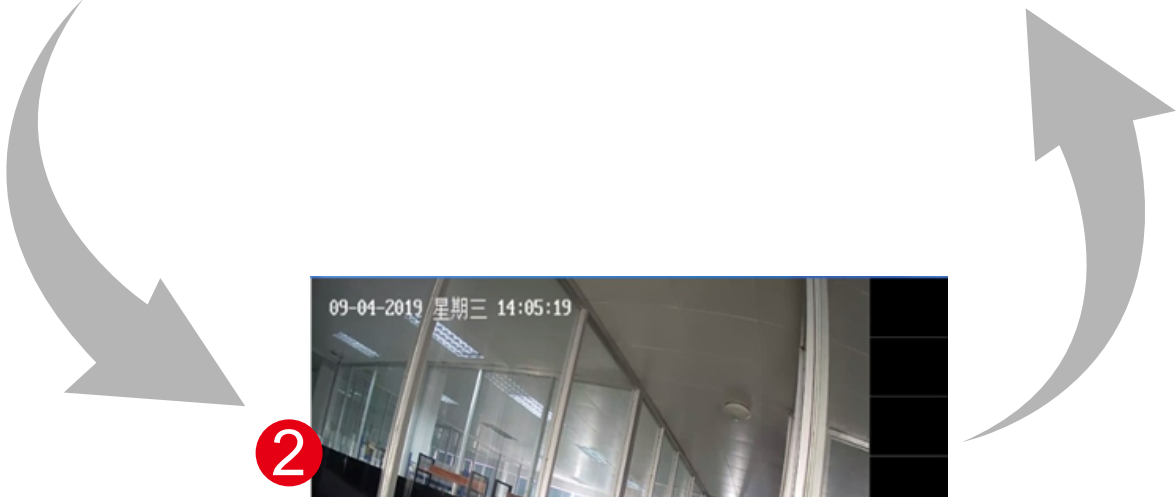
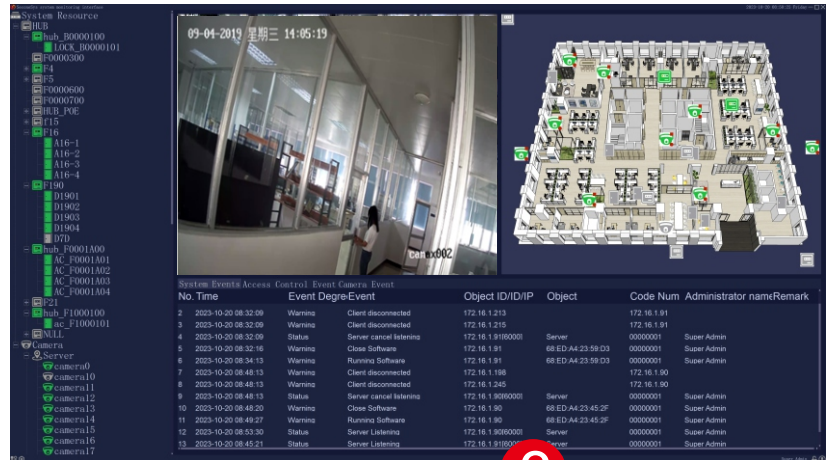
### 4. Map Marking Function

Device viewing function — You can directly right-click on the map to select the device to view the status. Such as checking the power of the electronic lock, etc. Double-click a map area to zoom in on the map.



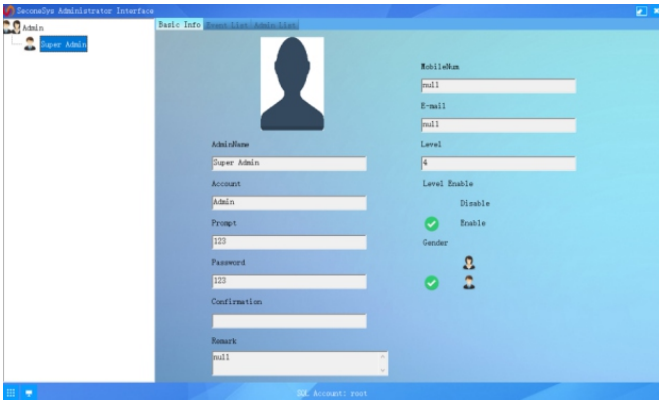
## 5. Security Linkage Function

- 1) The wireless electronic lock can transmit the dynamic information of the electronic lock to the signal repeater (ie HUB) in real time through wireless signal transmission, and then the signal repeater sends it to the system server.
- 2) Start the associated camera for real-time capture. Capture a video and generate a recording event.
- 3) Double-click the event list on the monitoring interface to view the event recording.



## 6. Multi-Level Permission Management Function

Low-level users cannot manage and use advanced functions, which ensures the security of the system and avoids the system failure caused by low-level user errors.



Super Admin, can manage other administrator accounts, set up and maintain database.



Equipment manager, can add door locks, add cards, hubs, cameras, and other system resources



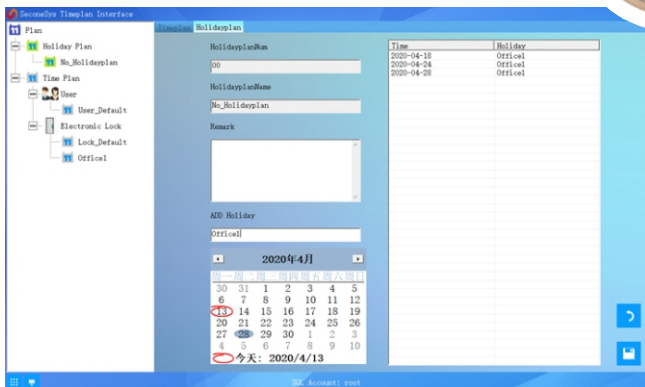
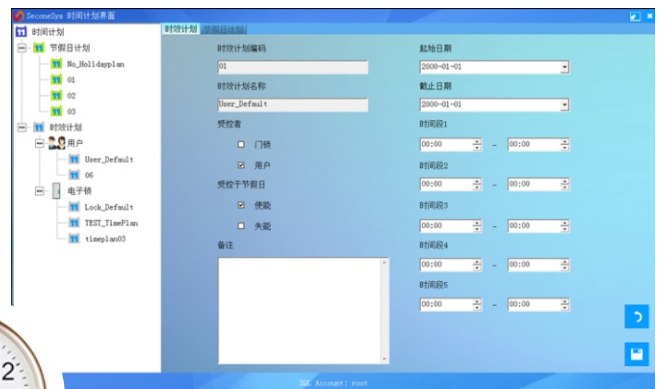
Monitoring senior management, view monitoring, authorize door lock qualification.



Monitoring staff can only view the monitor.

## 7. Time Management Function

The user can set up to 200 groups of time plans and 8 groups of holiday plans. Each time plan can set 5 time periods. Each holiday plan can set a maximum of 200 days of holidays.



1) A door lock can set the holiday plan and time plan at the same time. The holiday permission of electronic lock is greater than the time plan permission. For example, an office lock is set to open at 8 o'clock from Monday to Friday and to lock the door automatically at 6 o'clock after work. When it is on the weekend, the time schedule will automatically become invalid and the holiday schedule will be normally closed.

2) A user can set the time schedule, in the time schedule of the time has access to open the door.



**Hotel Lock(OEM)**

# Hotel Product(OEM)



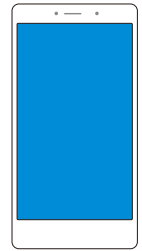
ANSI hotel lock



EURO hotel lock



Room reader and Indicator



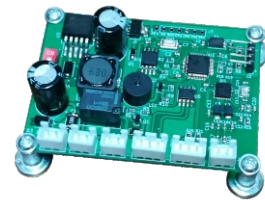
MDU



Energy saving device



Elevator controller, wireless



Elevator controller

## Hotel System Frame

