

Panic Exit Device

CMP451 **S** **-3648** **-SSS** **-RHR**

Device models

All series device models

Material

S: Stainless steel 304
 P: Steel
 A: Aluminum
 L: Plastic

Device size for door width

24: 24"(610mm)
 36: 36"(915mm)
 48: 48"(1220mm)
 Consult with factory for others

Door height

Blank for rim or mortise lock
 84: 84"(2134mm)
 96: 96"(2439mm)

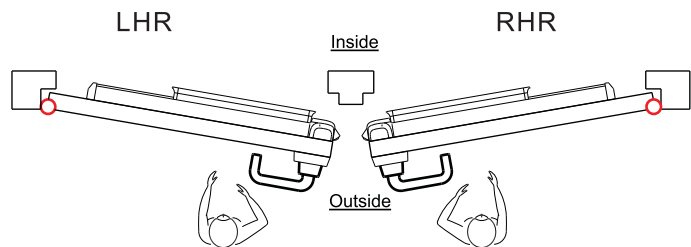
Finish

SSS: stainless steel satin(630)
 PSS: polishing(629)
 SPS: silver
 SPB: black
 Consultant factory for others

Handed

-LHR: Left hand reverse
 -RHR: Right hand reverse

Handing



CMP400 Series, CE, UL

CMP400 is certificated both by CE and UL



1. Non handed
2. Material:
 - 1) Stainless steel
 - 2) Steel
3. Finish:
 - 1) Standard: stainless steel satin, silver painted
 - 2) Optional: Polishing, PVD, Black, Red

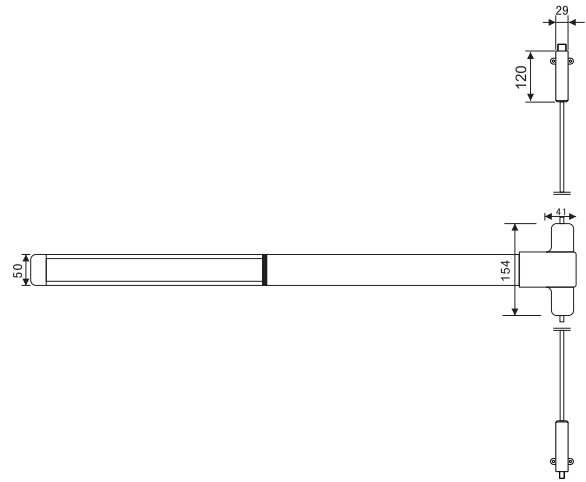
Half length touch bar



CMP401



CMP406



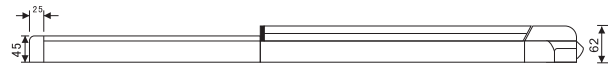
Full length touch bar



CMP402

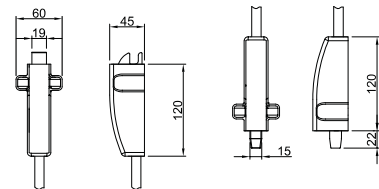


CMP407



CMP436

Applicate in container data center



Top and bottom bolt for CMP436

CMP400 Series, CE, UL

When order, according to bellow dimension.



Certificate:
 1) ANSI/BHMAA156.3 grade 1
 2) UL10C, fire rated

Feature	CMP401	CMP406	CMP436	CMP402	CMP407
Lock point	1	2	2	1	2
Touch bar	Half length of device			Full length of device	
Device lengths For door sizes	2': 2" (610 mm)			2': 2" (610 mm)	
	3': 2'4" to 3' (711mm to 914 mm)			3': 2'4" to 3' (711mm to 914 mm)	
	4': 2'10" to 4' (864 mm to 1219 mm)			4': 2'10" to 4' (864 mm to 1219 mm)	
Vertical rods	Standard rods accommodate 7' (2134mm) doors				
	Extension rods for 8' (2438mm) doors				
	Special rods for 10' (3048mm) doors				
Fasteners & sex bolts	Screw pack for 1 3/4" (44mm) to 2 1/4" (57mm) thick metal or wood doors				
Trim lock tumbler	Cross shape ⊕				
Dogging	Hex key dogging				
Trim	CMPA004/104/401/410/420/801				

When order, according to bellow dimension.



Certificated, CE marks:
 1) EN1125
 2) EN1634

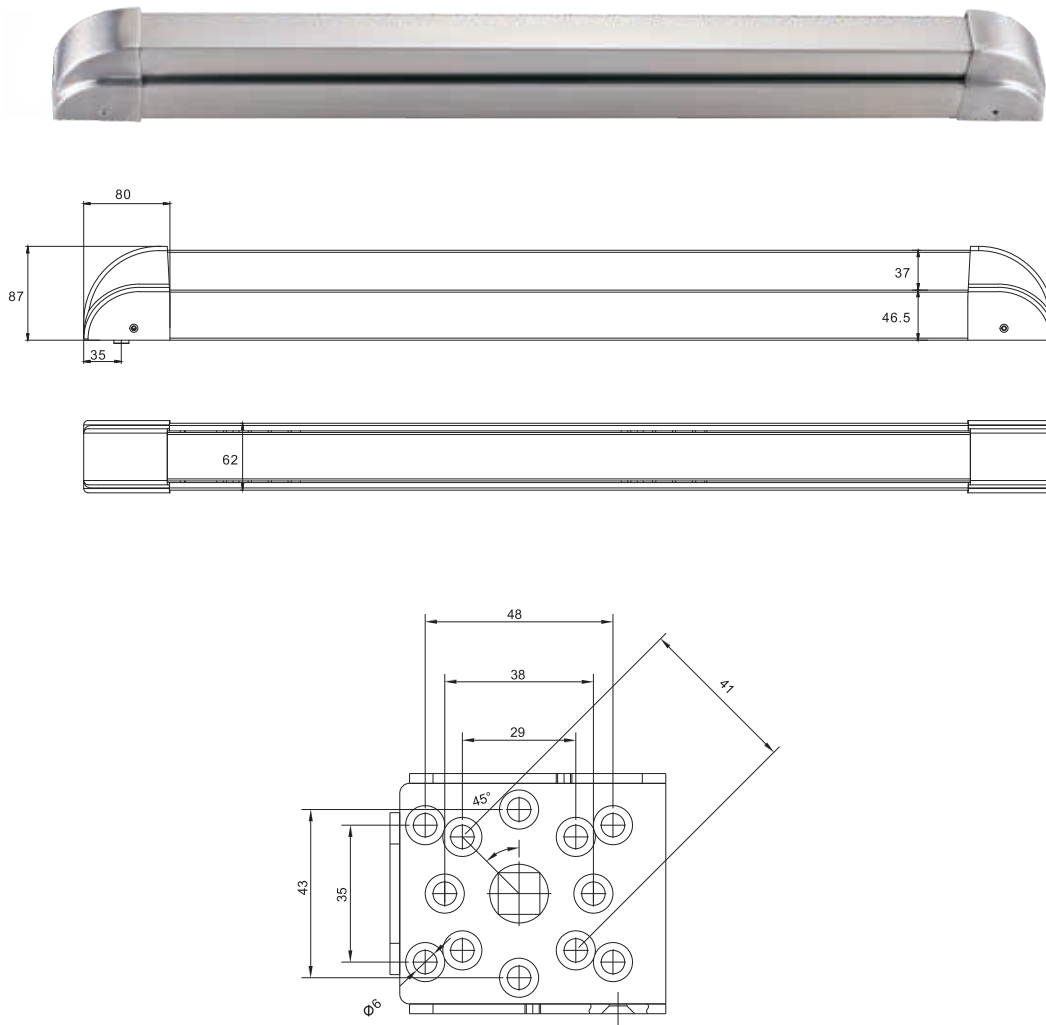
Category of use	Durability	Door Mass	Suitability for use on fire/smoke doors	Safety	Corrosion resistance	Security	Project of horizontal bar	Type of horizontal bar operation	Field of Door application
3	7	6	B	1	4	2	2	B	A/B

Feature	CMP401	CMP406	CMP436	CMP402	CMP407
Lock point	1	2	2	1	2
Touch bar	Half length of device			Full length of device	
Device lengths	2': 2" (610 mm)			2': 2" (610 mm)	
	3': 2'4" to 3' (711mm to 914 mm)			3': 2'4" to 3' (711mm to 914 mm)	
	4': 2'10" to 4' (864 mm to 1219 mm)			4': 2'10" to 4' (864 mm to 1219 mm)	
Vertical rods	Standard rods accommodate 7' (2134mm) doors				
	Extension rods for 8' (2438mm) doors				
	Special rods for 10' (3048mm) doors				
Fasteners & sex bolts	Screw pack for 1 3/4" (44mm) to 2 1/4" (57mm) thick metal or wood doors				
Trim lock tumbler	Cross shape ⊕				
Dogging, no for fire rated	Hex key				
Trim	CMPA004/014/104/008/010/012/112/212/801				

CMP955

Touch bar for mortise lock or any conceal vertical rod.

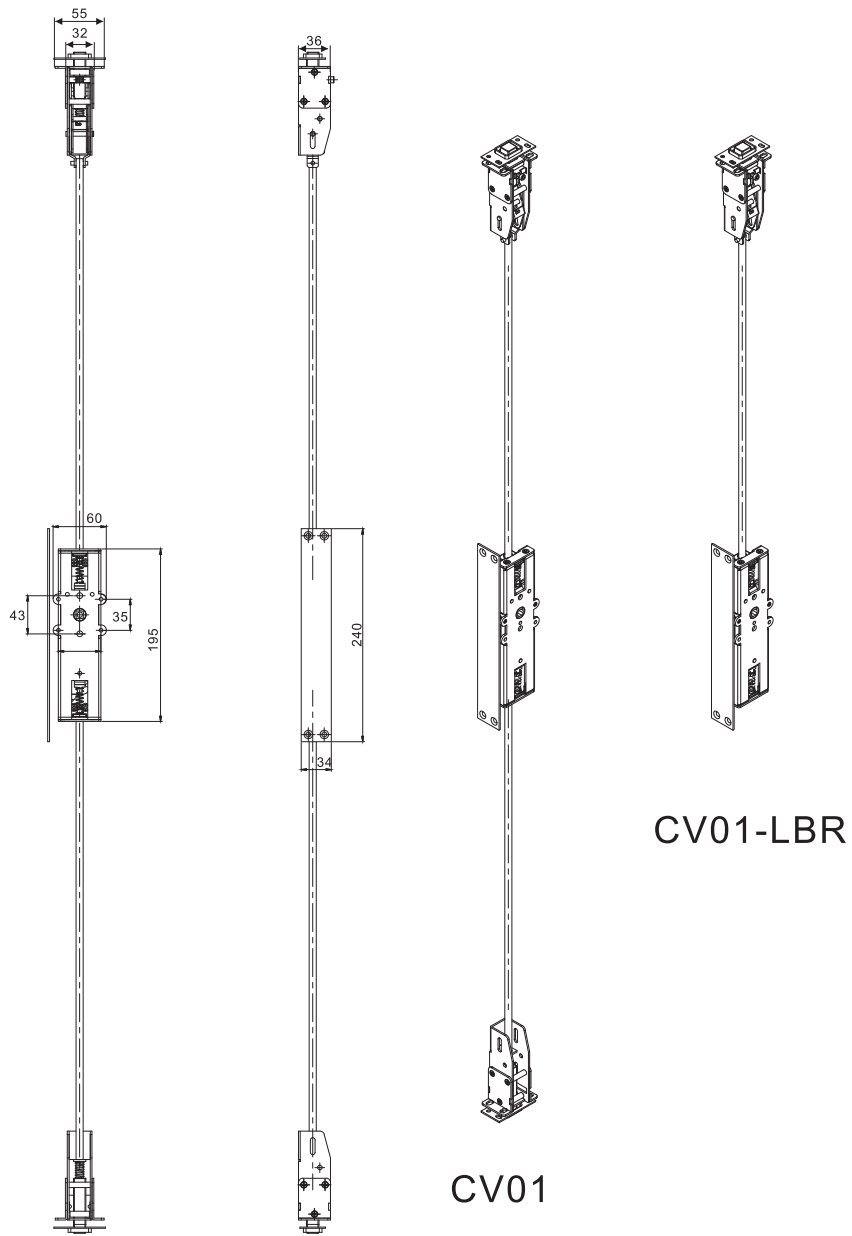
1. Compliance to EN1125, EN1634 fire rated
2. Compliance to ANSI/BHMAA156.3 grade 1, UL fire rate
3. Non handed
4. For single door: with mortise lock or CV01
5. For double door: with 72-65DA and 72-65DP, or with CV01
6. Material:
 - 1) Stainless steel
 - 2) Steel
7. Finish:
 - 1) Standard finishes: Satin, or Silver
 - 2) Optional finishes: Polish, PVD, White, Red, Black etc.



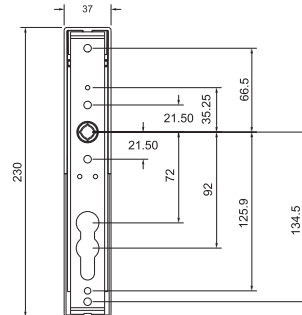
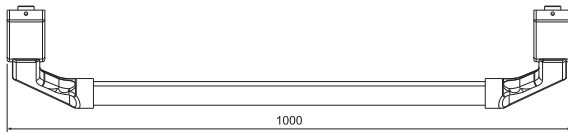
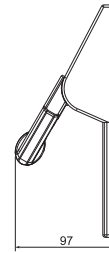
The bottom plate for fixing

CV01 conceal vertical lock CV01-LBR Less bottom rod

- 1. Work with CMP955/305/341/455
- 2. For single or double door
- 3. Minimum door thickness 44mm
- 4. Material: steel



CMP341

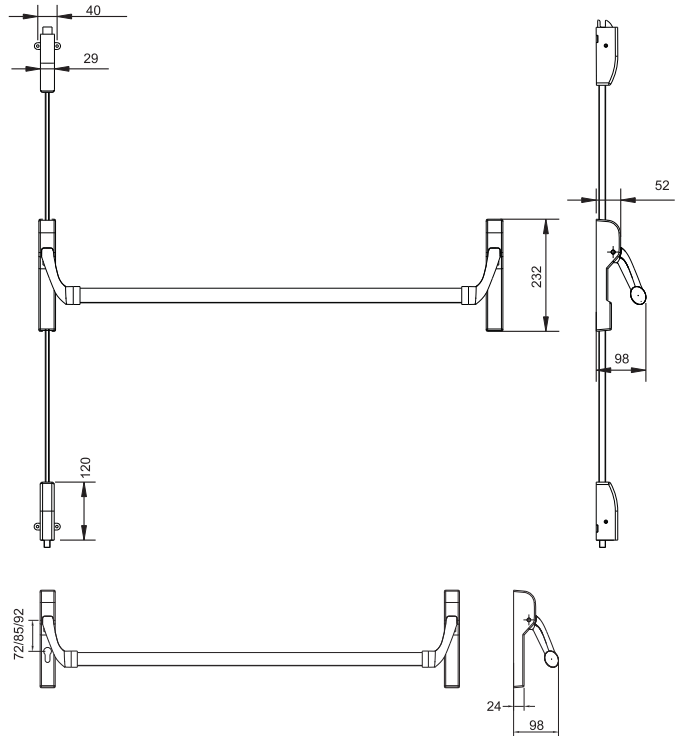
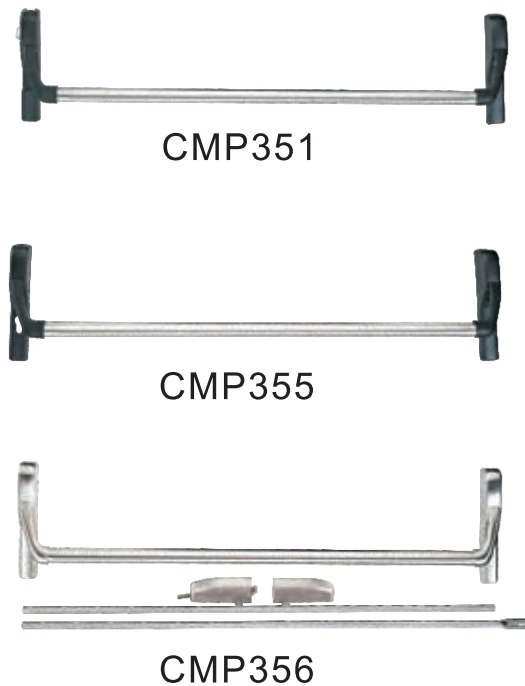


Suitable for narrow stile door
Work with mortise lock CC 72/92mm

- | | | |
|----------------|--------------------|--|
| 1. Compliance: | 2. Non handed | 4. Finish: |
| 1) EN1125 | 3. Material: | 1) Standard: stainless steel satin, silver painted |
| 2) EN1634 | 1) Stainless steel | 2) Optional: Polishing, PVD, Black, Red |
| | 2) Steel | |

Feature	CMP341
Device lengths for door width	Standard 970mm(push bar 850mm)
	Extend length 1220mm(push bar 1100mm)
Fasteners & sex bolts	Screw pack for 1 3/4" (44mm) to 2 1/4" (57mm) thick metal or wood doors
Trim lock tumbler	Square shape 8*8 or 9*9
Dogging, no for fire rated	No available

CMP350 series



Suitable for narrow stile door

1. CMP355 work with mortise lock CC 72/85/92mm
2. Handed
3. Material: A) Stainless steel; B) Steel; C) Plastic
4. Finish:
 - 1) Standard: stainless steel satin, silver painted
 - 2) Optional: Polishing, PVD, Black, Red

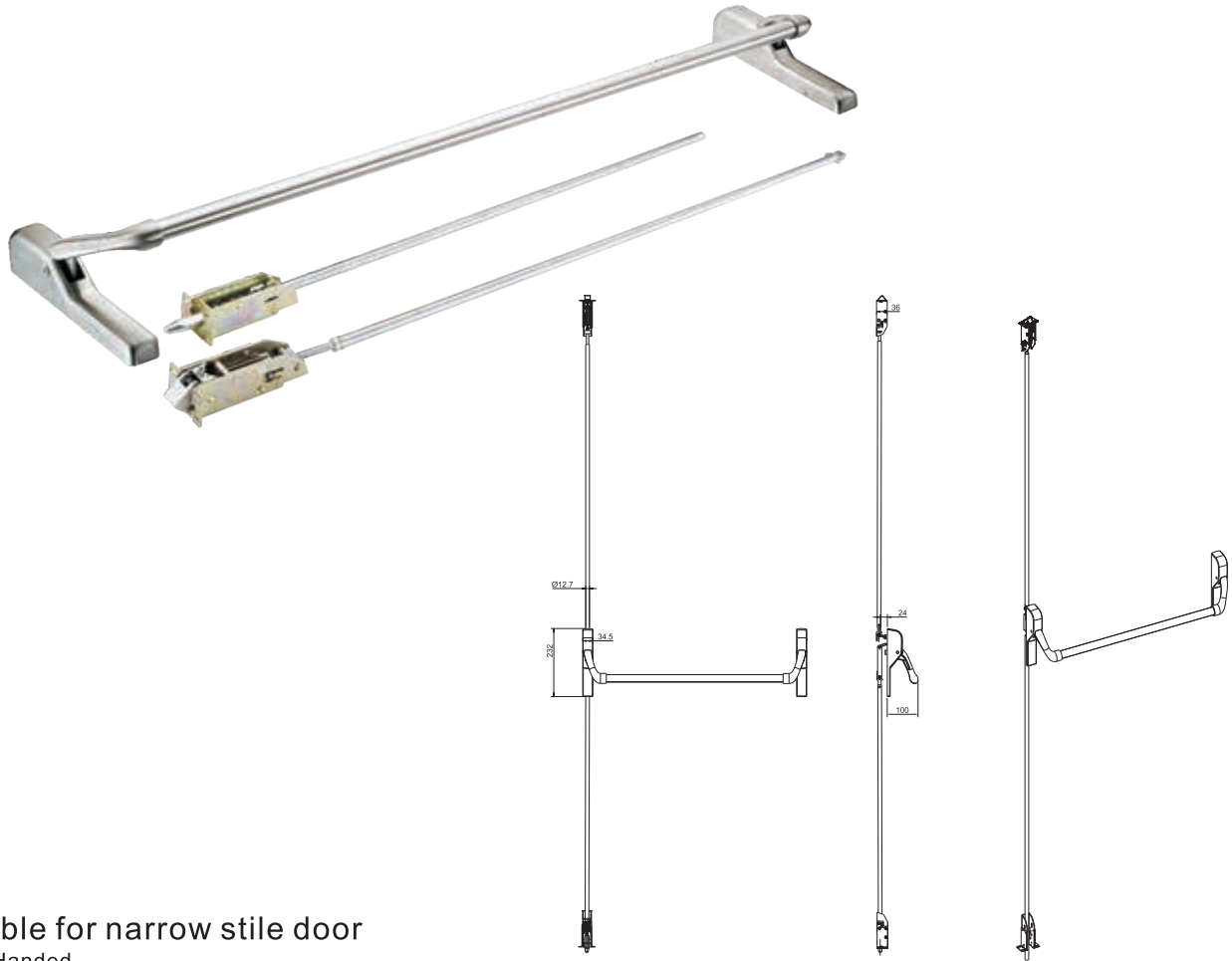


Certificate, CE marks:
 1) EN1125, category 3
 2) EN1634, fire rated 2 hours

Category of use	Durability	Door Mass	Suitability for use on fire/smoke doors	Safety	Corrosion resistance	Security	Project of horizontal bar	Type of horizontal bar operation	Field of Door application
3	7	6	B	1	4	2	2	A	A/B

Feature	CMP351	CMP355	CMP356
Lock point	1	1	2
Device lengths for door width	Standard: push bar 850mm, CMP350P/S=960mm; CMP350L= 980MM) Extend length 1200mm(push bar 1100mm)		
Vertical rods	Standard rods accommodate 7' (2134mm) doors Extension rods for 8' (2438mm) doors Special rods for 10' (3048mm) doors		
Fasteners & sex bolts	Screw pack for 1 3/4" (44mm) to 2 1/4" (57mm) thick metal or wood doors		
Trim lock tumbler	Square shape		
Dogging, no for fire rated	No available		
Trim	CMP355 no any trim; CMP351/356: CMPA012/112/212		

CMP366 Conceal panic exit device



Suitable for narrow stile door

1. Non Handed
2. Material:
 - 1) Stainless steel
 - 2) Steel
 - 3) Plastic
3. Finish:
 - 1) Standard: stainless steel satin, silver painted
 - 2) Optional: Polishing, PVD, Black, Red



Certificate(Pending):
 1) EN1125
 2) EN1634, fire rated

Feature	CMP366
Lock point	2
Device lengths for door width	Standard: push bar 850mm, CMP350P/S=960mm; CMP350L= 980MM)
	Extend length 1200mm(push bar 1100mm)
Vertical rods	Standard rods accommodate 7' (2134mm) doors
	Extension rods for 8' (2438mm) doors
	Special rods for 10' (3048mm) doors
Fasteners & sex bolts	Screw pack for 1 3/4" (44mm) to 2 1/4" (57mm) thick metal or wood doors
Trim lock tumbler	Square shape
Dogging, no for fire rated	No available
Trim	CMPA012/112/212
Minimum door thickness	44mm

CMP500 series

EN12211



European mortise lock



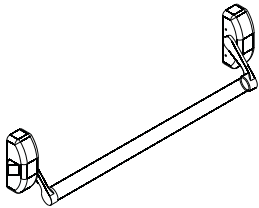
Pullman latch



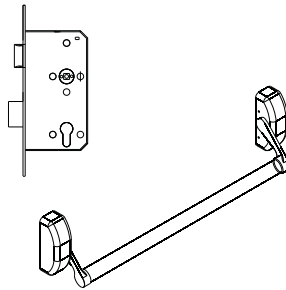
Lateral latch



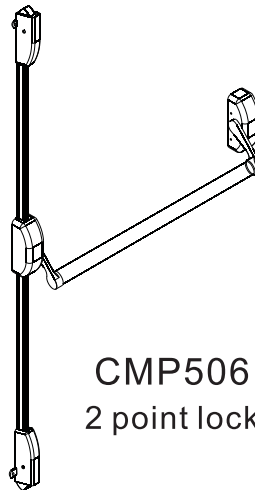
Lateral latch



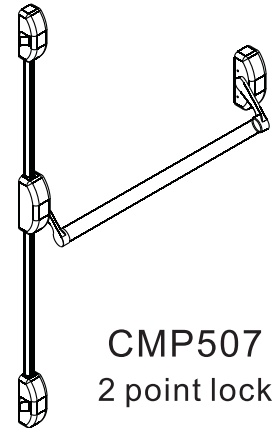
CMP501
1 point lock



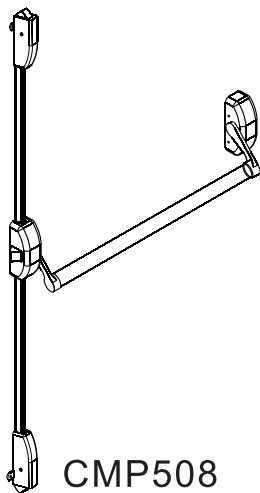
CMP505
lock by mortise lock



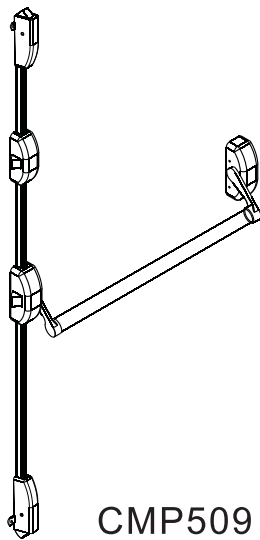
CMP506
2 point lock



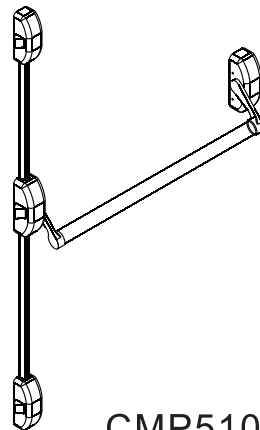
CMP507
2 point lock



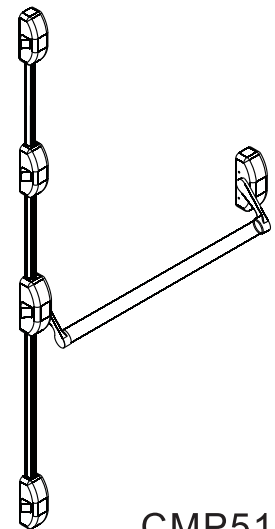
CMP508
3 point lock
by 3 direction



CMP509
4 point lock
by 3 direction

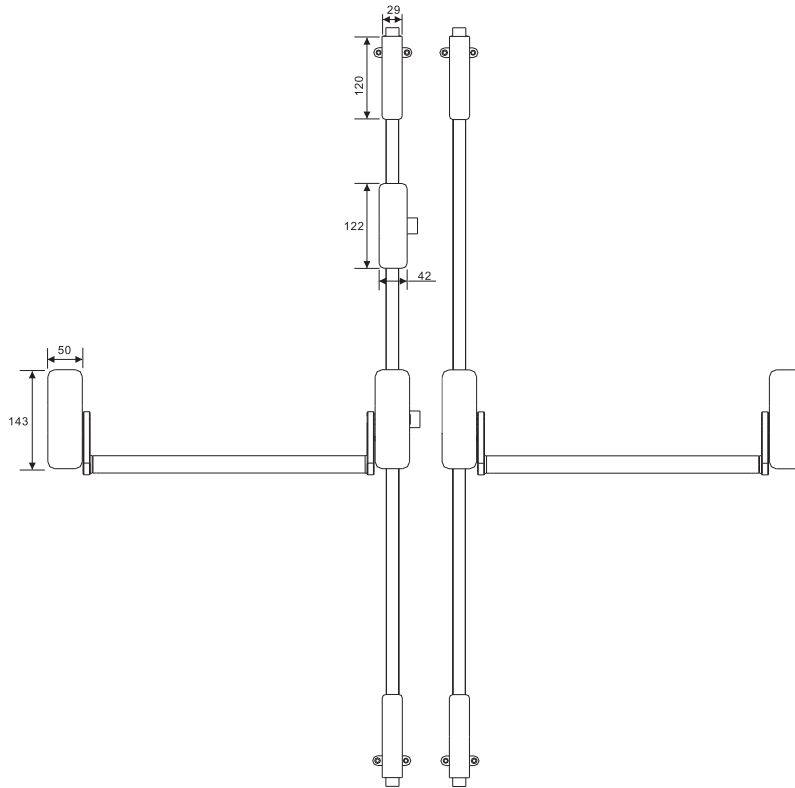


CMP510
3 point lock
by 1 direction



CMP511
4 point lock
by 1 direction

CMP500 series



1. Pullman latch, lateral latch modular design, optional
2. Non handed
3. Material:
 - 1) Stainless steel
 - 2) Steel
4. Finish:
 - 1) Standard: stainless steel satin, silver painted
 - 2) Optional: Polishing, PVD, Black, Red



Certificate, CE marks:

- 1) EN1125
- 2) EN1634
- 3) EN12211 6000Pa, certificate for CMP511

Category of use	Durability	Door Mass	Suitability for use on fire/smoke doors	Safety	Corrosion resistance	Security	Project of horizontal bar	Type of horizontal bar operation	Field of Door application
3	7	6	B	1	4	2	2	A	A/B

Feature	CMP501	CMP505	CMP506	CMP507	CMP508	CMP509	CMP510	CMP511
Lock point	1	1	2	2	3	4	3	4
Device lengths for door width	Standard 960mm(push bar 850mm)							
	Extend length 1210mm(push bar 1100mm)							
Vertical rods	Standard rods accommodate 7' (2134mm) doors							
	Extension rods for 8' (2438mm) doors							
	Special rods for 10' (3048mm) doors							
Fasteners & sex bolts	Screw pack for 1 3/4" (44mm) to 2 1/4" (57mm) thick metal or wood doors							
Trim lock tumbler	Square shape							
Dogging, no for fire rated	No available							
Trim	CMPA004B/104/008/010/012/112/212							

CMP600 series



European mortise lock



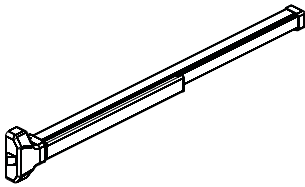
Pullman latch



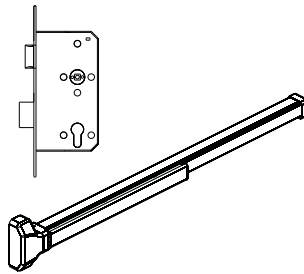
Lateral latch



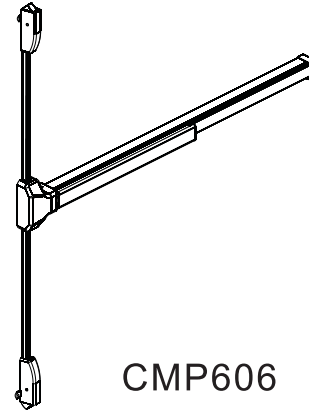
Lateral latch



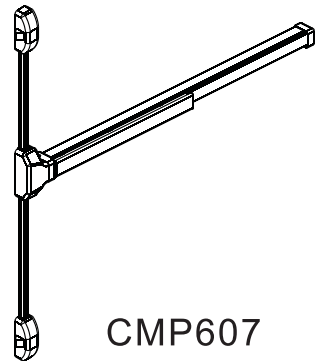
CMP601
1 point lock



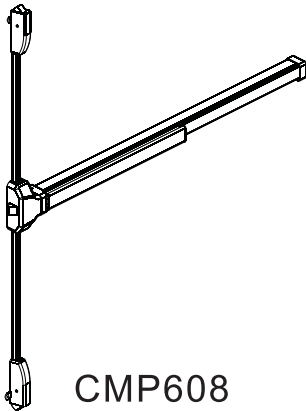
CMP605
lock by mortise lock



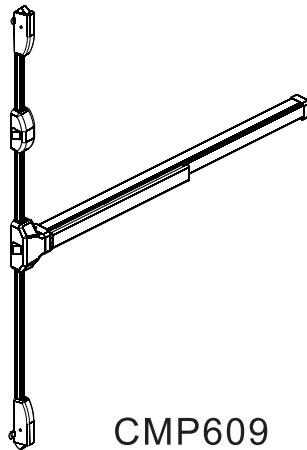
CMP606
2 point lock



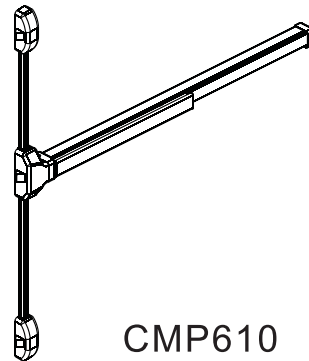
CMP607
2 point lock



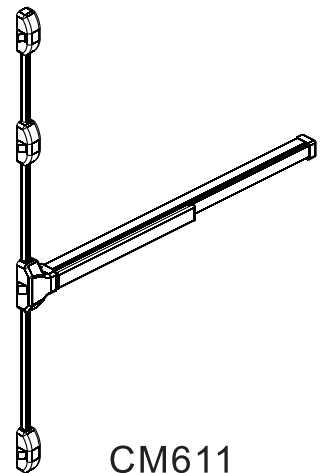
CMP608
3 point lock
by 3 direction



CMP609
4 point lock
by 3 direction

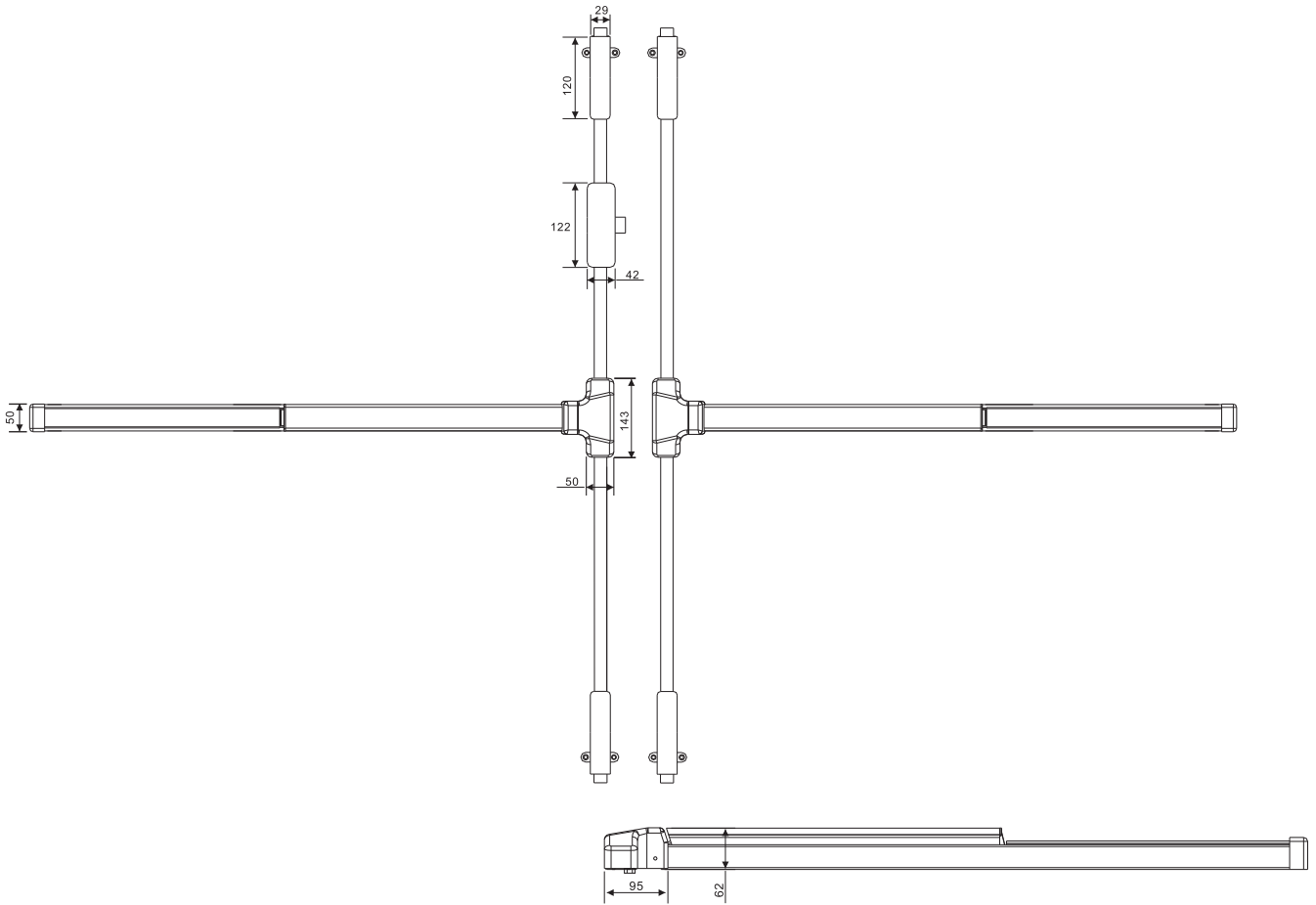


CMP610
3 point lock
by 1 direction



CM611
4 point lock
by 1 direction

CMP600 series



1. Compliance:

- 1) ANSI/BHMAA156.3, grade 1
- 2) UL10C, fire rated
- 3) EN1125
- 4) EN1634, fire rated

3. Non handed

- 4. Material:
 - 1) Stainless steel
 - 2) Steel

5. Finish:

- 1) Standard: stainless steel satin, silver painted
- 2) Optional: Polishing, PVD, Black, Red

2. Pullman latch, lateral latch modular design, optional

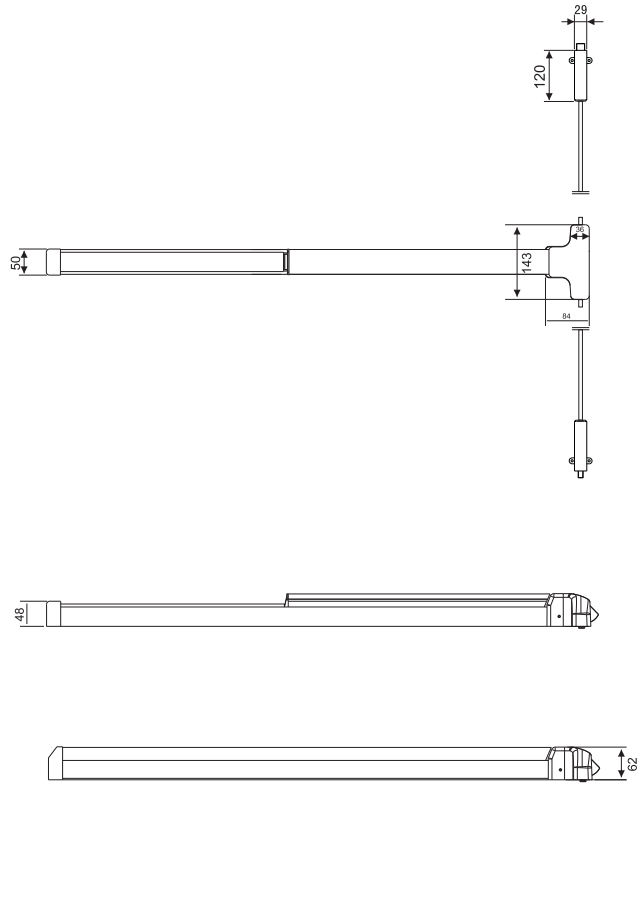
Feature	CMP601	CMP605	CMP606	CMP607	CMP608	CMP609	CMP610	CMP611
Lock point	1	1	2	2	3	4	3	4
Touch bar	Touch bar half length of device							
Device lengths for door width	2': 2" (610 mm) Door size							
	3': 2'4" to 3' (711mm to 914 mm) Door size							
	4': 2'10" to 4' (864 mm to 1219 mm) Door size							
Vertical rods	Standard rods accommodate 7' (2134mm) doors							
	Extension rods for 8' (2438mm) doors							
	Special rods for 10' (3048mm) doors							
Fasteners & sex bolts	Screw pack for 1 3/4" (44mm) to 2 1/4" (57mm) thick metal or wood doors							
Trim lock tumbler	Cross shape							
Dogging, no for fire rated	Hex key							
Trim	CMPA004/104/008/010/012/112/212							

CMP800 series

Half length touch bar



Full length touch bar



Suitable for narrow stile door

- | | | |
|----------------|--------------------|--|
| 1. Compliance: | 3. Material: | 4. Finish: |
| 1) EN1125 | 1) Stainless steel | 1) Standard: stainless steel satin, silver painted |
| 2) EN1634 | 2) Steel | 2) Optional: Polishing, PVD, Black, Red |
| 2. Non handed | | |

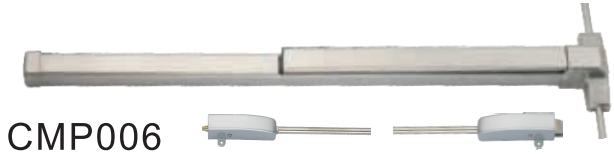
Feature	CMP801	CMP806	CMP805	CMP802	CMP807
Lock point	1	2	1	1	2
Touch bar	Half length of device			Full length of device	
Device lengths for door width	2': 2" (610 mm)			2': 2" (610 mm)	
	3': 2'4" to 3' (711mm to 914 mm)			3': 2'4" to 3' (711mm to 914 mm)	
	4': 2'10" to 4' (864 mm to 1219 mm)			4': 2'10" to 4' (864 mm to 1219 mm)	
Vertical rods	Standard rods accommodate 7' (2134mm) doors				
	Extension rods for 8' (2438mm) doors				
	Special rods for 10' (3048mm) doors				
Fasteners & sex bolts	Screw pack for 1 3/4" (44mm) to 2 1/4" (57mm) thick metal or wood doors				
Trim lock tumbler	Cross shape ⊕				
Dogging, no for fire rated	Hex key				
Trim	CMPA004/104/008/010/012/112/212				

CMP000 Series

Half length touch bar



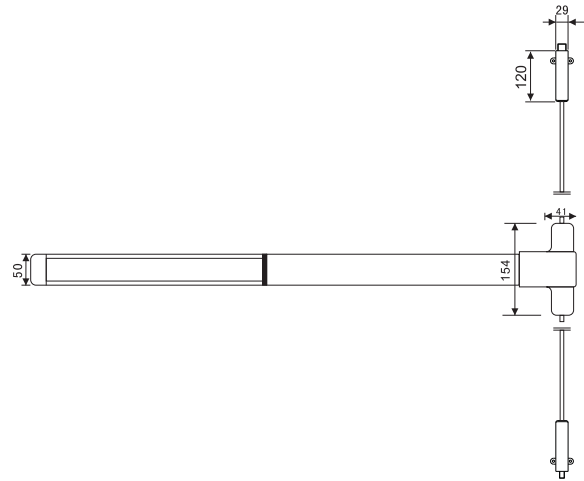
CMP001



CMP006



CMP003



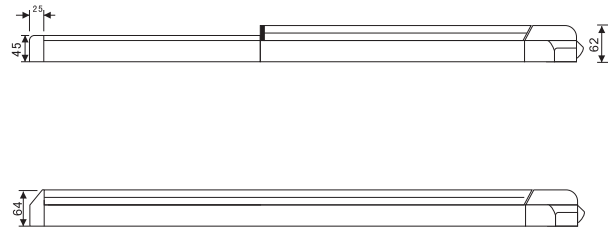
Full length touch bar



CMP002



CMP009



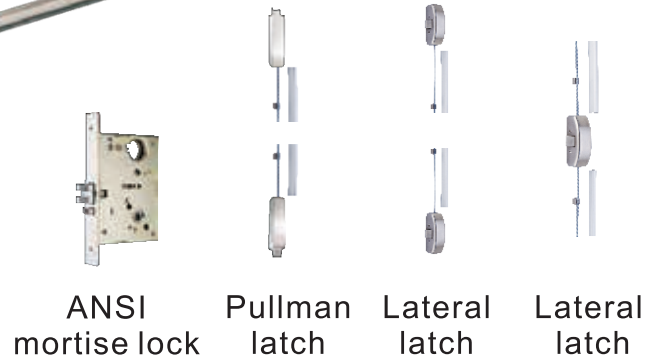
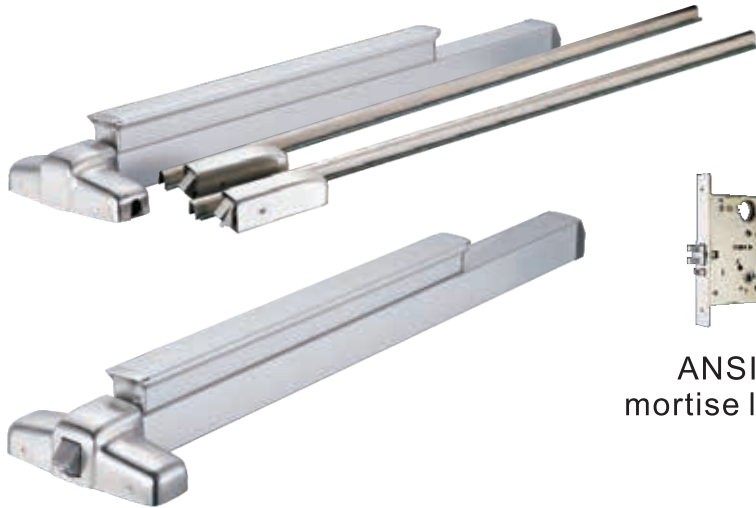
1. None handed
2. Material:
 - 1) Stainless steel
 - 2) Steel
3. Finish:
 - 1) Standard: stainless steel satin, silver painted
 - 2) Optional: Polishing, PVD, Black, Red



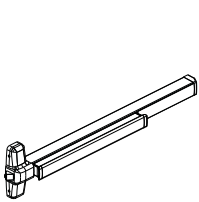
Certificate:
 1) ANSI/BHMA A156.3 grade 2
 2) UL listed

Feature	CMP001	CMP003	CMP006	CMP002	CMP009
Lock point	1	1	2	1	2
Touch bar	Half length of device			Full length of device	
Device lengths For door sizes	2': 2" (610 mm)			2': 2" (610 mm)	
	3': 2'4" to 3' (711mm to 914 mm)			3': 2'4" to 3' (711mm to 914 mm)	
	4': 2'10" to 4' (864 mm to 1219 mm)			4': 2'10" to 4' (864 mm to 1219 mm)	
Vertical rods	Standard rods accommodate 7' (2134mm) doors				
	Extension rods for 8' (2438mm) doors				
	Special rods for 10' (3048mm) doors				
Fasteners & sex bolts	Screw pack for 1 3/4" (44mm) to 2 1/4" (57mm) thick metal or wood doors				
Trim lock tumbler	Cross shape ⊕				
Dogging	Hex key	Thumbturn	Hex key		
Trim	CMPA004/104/008/010/012/112/212/401/410/420/801				

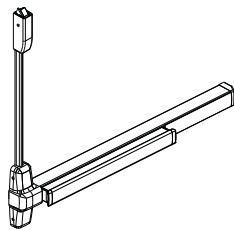
CMP450 series Heavy Duty Panic Device



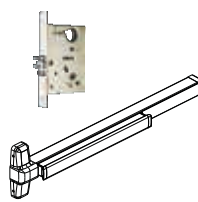
ANSI mortise lock Pullman latch Lateral latch Lateral latch



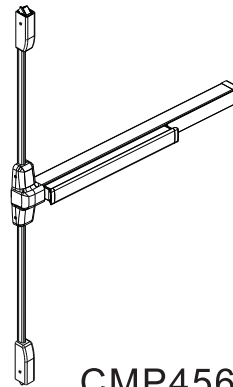
CMP451
1 point lock



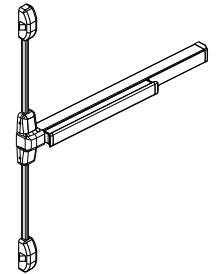
CMP453
Less bottom bolt



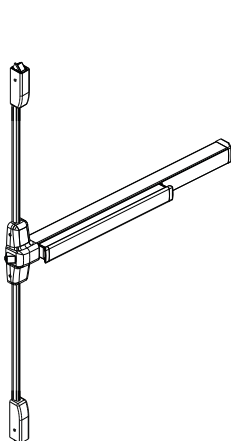
CMP455
With mortise lock



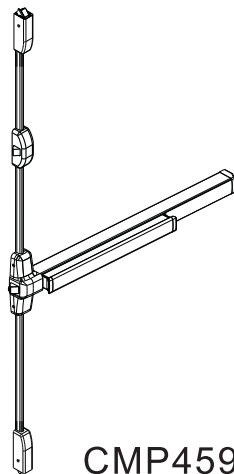
CMP456
2 point lock



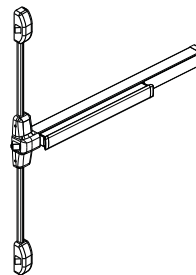
CMP457
2 points lock



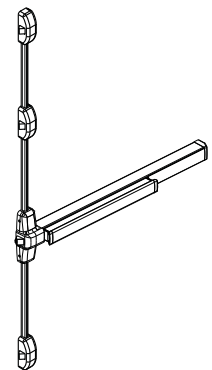
CMP458
3 point lock
by 3 direction



CMP459
4 point lock
by 3 direction

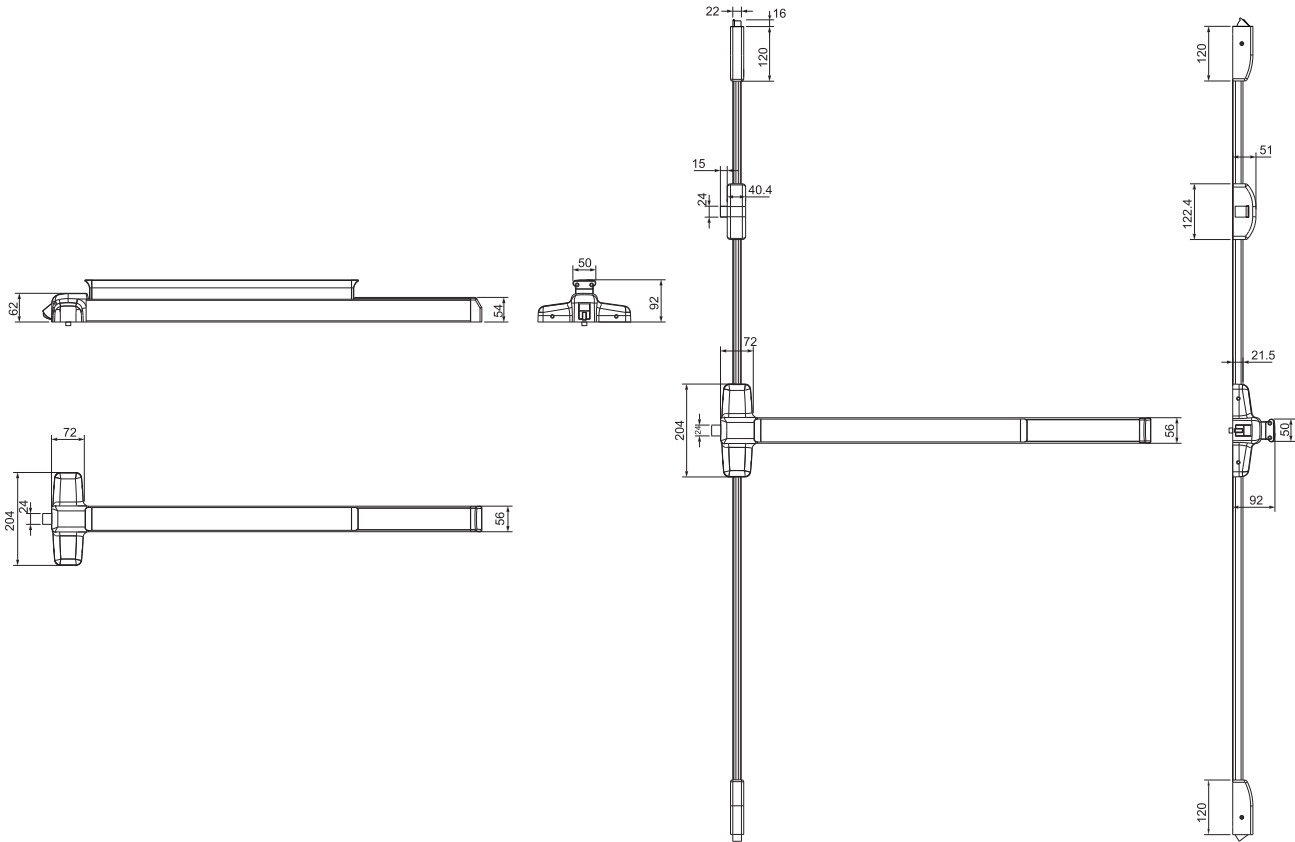


CMP460
3 point lock
by 1 direction



CM461
4 point lock
by 1 direction

CMP450 series



1. Modular design, more than 4 point locks are available
2. Security anti-thrust latch
3. Non handed
4. Material:
 - 1) Stainless steel
 - 2) Steel
 - 3) Aluminum
5. Finish:
 - 1) Standard: stainless steel satin, silver painted
 - 2) Optional: Polishing, PVD, Black, Red



- Certificate:
- 1) ANSI/BHMA A156.3 grade 1
 - 2) UL10C, 3 hours fire rated

Feature	CMP451	CMP453	CMP455	CMP456	CMP457	CMP458	CMP459	CMP460	CMP461
Lock point	1	1	1	2	2	3	4	3	4
Touch bar	Half length of device								
Device lengths for door width	2': 2" (610 mm) Door size								
	3': 2'4" to 3' (711mm to 914 mm) Door size								
	4': 2'10" to 4' (864 mm to 1219 mm) Door size								
Vertical rods	Standard rods accommodate 7' (2134mm) doors								
	Extension rods for 8' (2438mm) doors								
	Special rods for 10' (3048mm) doors								
Fasteners & sex bolts	Screw pack for 1 3/4" (44mm) to 2 1/4" (57mm) thick metal or wood doors								
Trim lock tumbler	Cross shape ⊕ CMP455 is cross shape ⊖								
Dogging, no for fire rated	Hex key dogging, cylinder dogging								
Trim	CMPA004B/104/401/410/420/450								

CMP466 conceal CMP463, Less bottom rod



- 1. Non handed
- 2. Material:
 - 1) Stainless steel
 - 2) Steel
 - 3) Aluminum

- 3. Finish:
 - 1) Standard: stainless steel satin, silver painted
 - 2) Optional: Polishing, PVD, Black, Red



- Certificate: (Pending)
- 1) ANSI/BHMA A156.3 grade 1
 - 2) UL10C, 3 hours fire rated

Feature	CMP463	CMP466
Lock point	1	2
Touch bar	Half length of device	
Device lengths for door width	2': 2" (610 mm) Door size	
	3': 2'4" to 3' (711mm to 914 mm) Door size	
	4': 2'10" to 4' (864 mm to 1219 mm) Door size	
Vertical rods	Standard rods accommodate 7' (2134mm) doors	
	Extension rods for 8' (2438mm) doors	
	Special rods for 10' (3048mm) doors	
Fasteners & sex bolts	Screw pack for 1 3/4" (44mm) to 2 1/4" (57mm) thick metal or wood doors	
Trim lock tumbler	Cross shape ⊕	
Dogging, no or fire rated	Hex key dogging	
Trim	CMPA004B/104/410/420/450	
Minimum door thickness	44mm	

CMP750 series, Narrow stile



ANSI
mortise lock



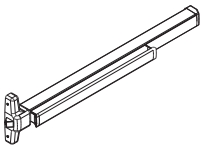
Pullman
latch



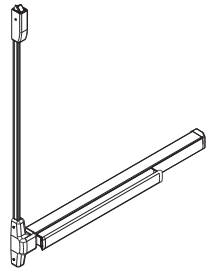
Lateral
latch



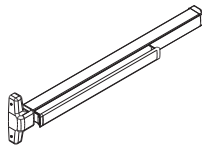
Lateral
latch



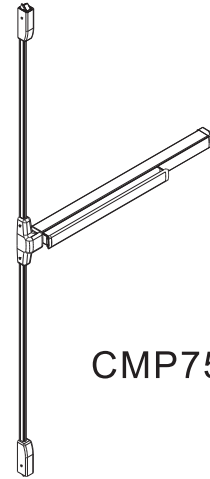
CMP751



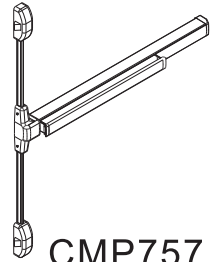
CMP753



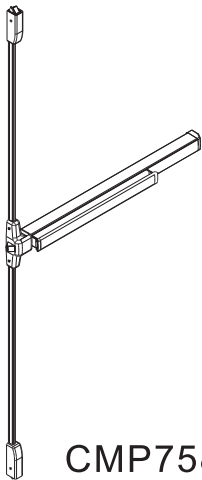
CMP755



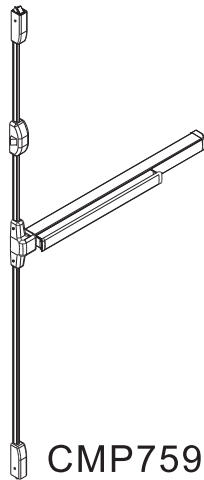
CMP756



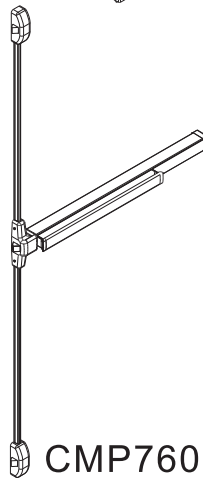
CMP757



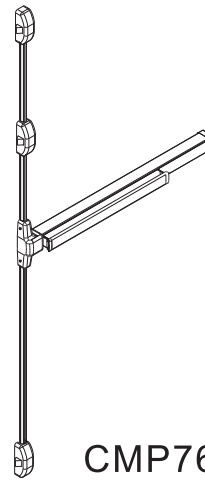
CMP758



CMP759

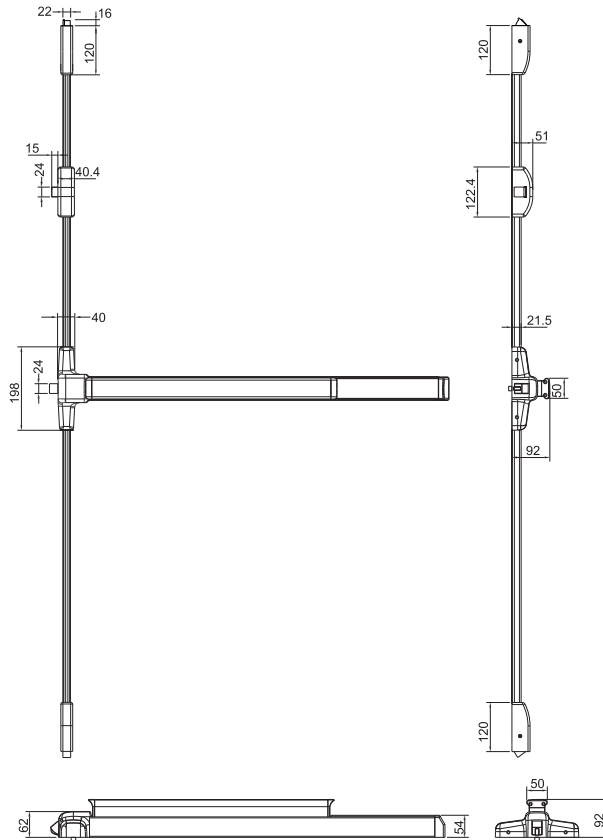


CMP760



CMP761

CMP750 series

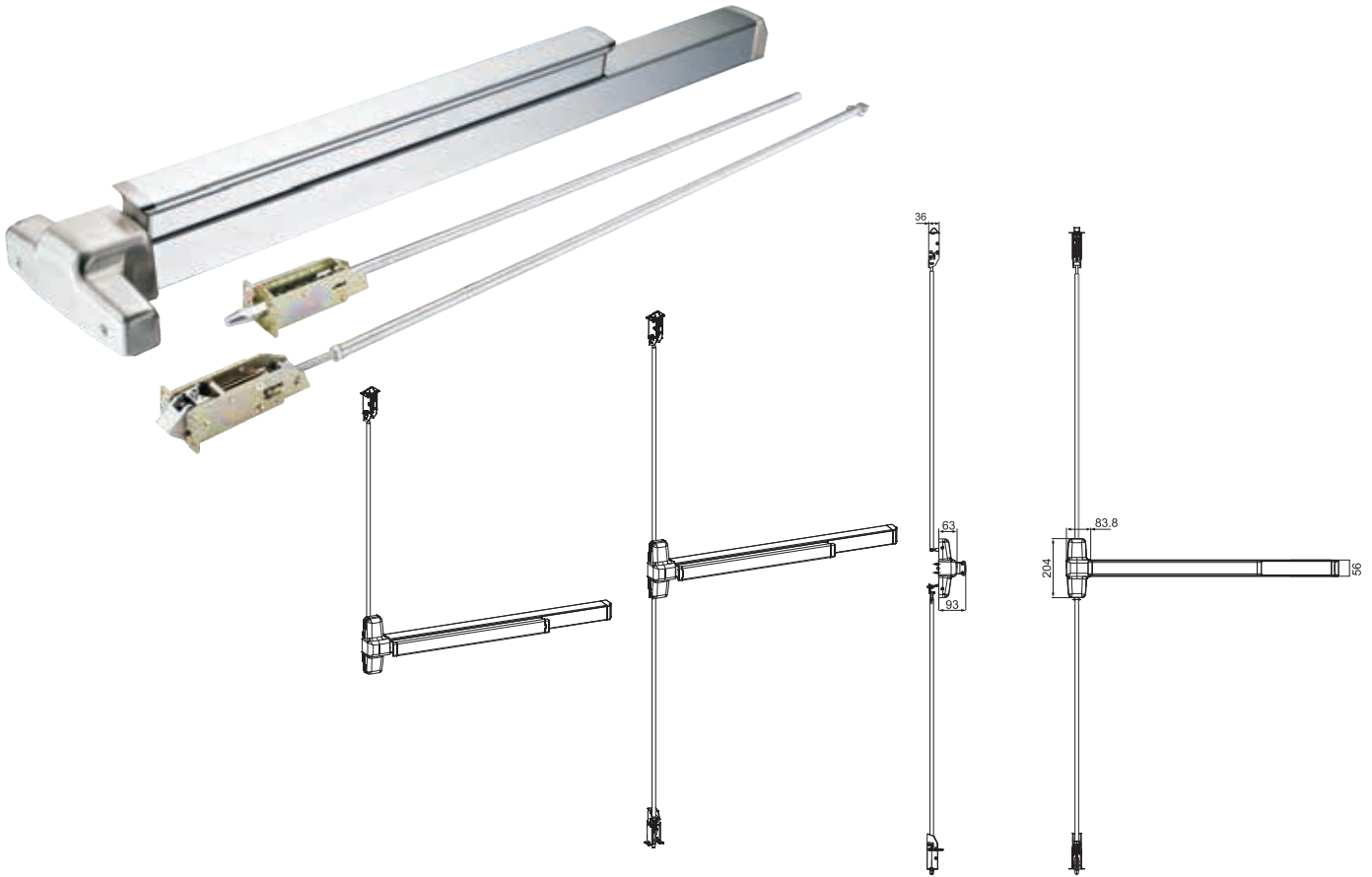


Narrow stile door exit device

- | | |
|---|--|
| <ol style="list-style-type: none"> 1. Compliance: <ol style="list-style-type: none"> 1) ANSI/BHMA A156.3 grade 1 2) UL10C, 3 hours fire rated 2. Modular design, more than 4 point locks are available 3. Security anti-thrust latch 4. Non handed | <ol style="list-style-type: none"> 5. Material: <ol style="list-style-type: none"> 1) Stainless steel 2) Steel 3) Aluminum 6. Finish: <ol style="list-style-type: none"> 1) Standard: stainless steel satin, silver painted 2) Optional: Polishing, PVD, Black, Red |
|---|--|

Feature	CMP751	CMP753	CMP755	CMP756	CMP757	CMP758	CMP759	CMP760	CMP761
Lock point	1	1	1	2	2	3	4	3	4
Touch bar	Half length of device								
Device lengths for door width	2': 2" (610 mm) Door size								
	3': 2'4" to 3' (711mm to 914 mm) Door size								
	4': 2'10" to 4' (864 mm to 1219 mm) Door size								
Vertical rods	Standard rods accommodate 7' (2134mm) doors								
	Extension rods for 8' (2438mm) doors								
	Special rods for 10' (3048mm) doors								
Fasteners & sex bolts	Screw pack for 1 3/4" (44mm) to 2 1/4" (57mm) thick metal or wood doors								
Trim lock tumbler	Cross shape ⊕ CMP755 is square shape ◻								
Dogging, no for fire rated	Hex key dogging, cylinder dogging								
Trim	CMPA401/420/750								

CMP766 conceal CMP763, Less bottom rod



1. Compliance:

- 1) ANSI/BHMA A156.3 grade 1
- 2) UL10C, fire rated 3 hours
- 2. Security anti-thrust latch
- 3. Non handed

4. Material:

- 1) Stainless steel
- 2) Steel
- 3) Aluminum

5. Finish:

- 1) Standard: stainless steel satin, silver painted
- 2) Optional: Polishing, PVD, Black, Red

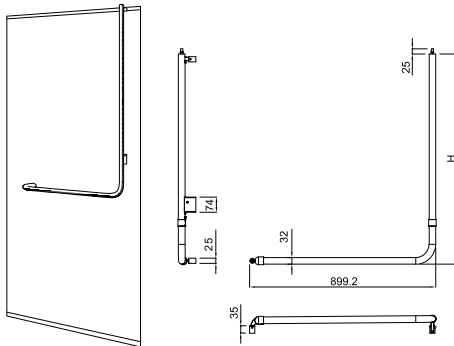
Feature	CMP763	CMP766
Lock point	1	2
Touch bar	Half length of device	
Device lengths for door width	2': 2" (610 mm) Door size	
	3': 2'4" to 3' (711mm to 914 mm) Door size	
	4': 2'10" to 4' (864 mm to 1219 mm) Door size	
Vertical rods	Standard rods accommodate 7' (2134mm) doors	
	Extension rods for 8' (2438mm) doors	
	Special rods for 10' (3048mm) doors	
Fasteners & sex bolts	Screw pack for 1 3/4" (44mm) to 2 1/4" (57mm) thick metal or wood doors	
Trim lock tumbler	Cross shape ⊕	
Dogging, no or fire rated	Hex key dogging	
Trim	CMPA401/420	
Minimum door thickness	44mm	



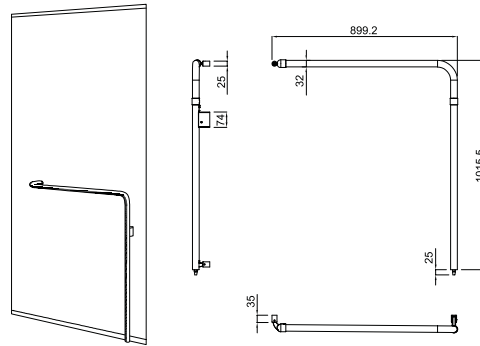
CGP400/CGP410 for glass door Panic function, interior modular

1. In any case, push bar open door;
2. Key to lock/unlock the door. When unlock, bolt is retracted and the push bar is locked;
3. Should be assembly with exterior modular;
 - A. Exterior modular, when unlock, as pull handle to open door; when lock, can not pull to open door.
 - B. Exterior modular have difference models/design.
 - C. Exterior modular is fixed
4. All panic come with dogging and with keyed access device
5. Compliance to UL305, ULC/5132-93, ANSI/BHMAA156.3 Grade 1
6. ADA compliant
7. Maximum door height: 2,740mm
8. Material is stainless steel 304
9. Finishes: SSS

CGP400



CGP410

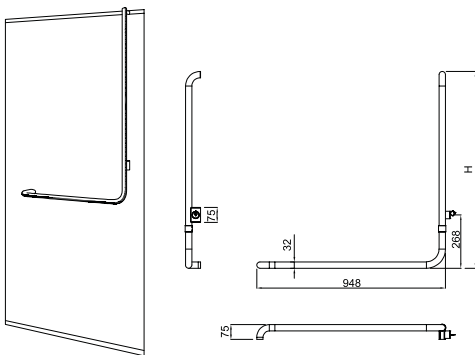


CGD400/CGD410/CGD430

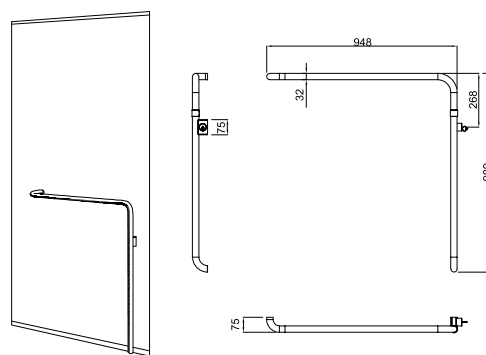
Exterior modular

1. Exterior modular is fixed;
2. Cylinder for lock/ unlock;
3. Should be assembly with interior modular;
 - A. When unlock, as pull handle to open door; when lock, can not pull to open door.
 - B. Difference models/ design.
4. Material is stainless steel 304

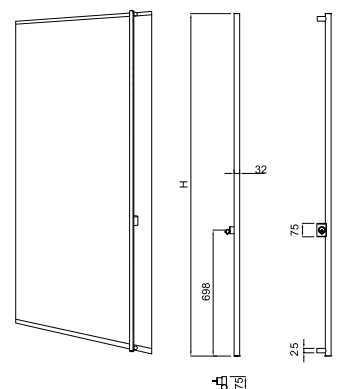
CGD400



CGD410



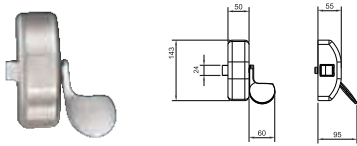
CGD430



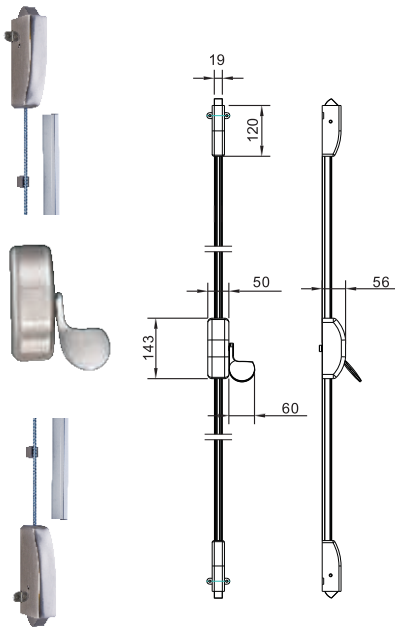
Emergency exit devices

Push pad

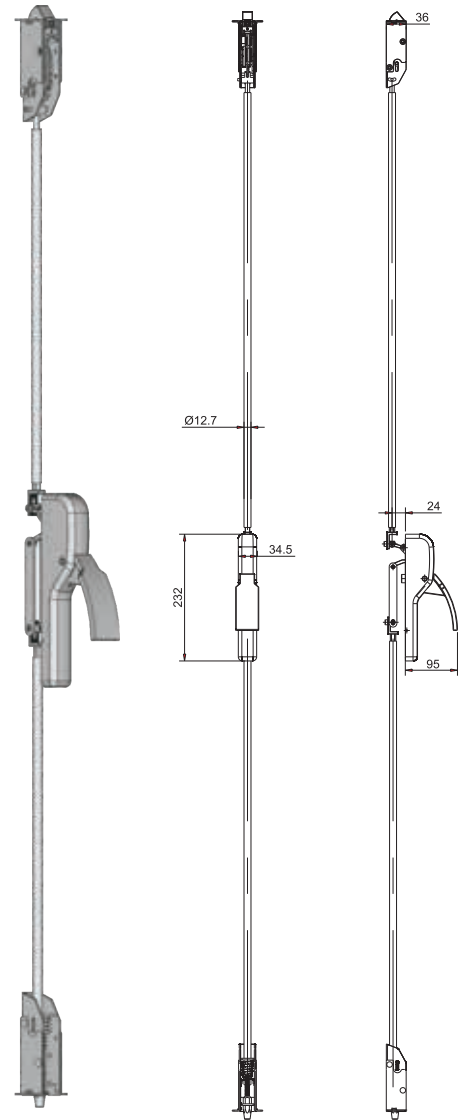
1. Compliance with EN179
2. Material: stainless steel or steel painting
3. Finishes: SSS, Silver



CMP571



CMP576



CMP376 conceal

Mortise lock for exit device

Mortise lock for panic exit device

72-65PT

Specifications

Panic function

- Key action on latch bolt.
- Single throw dead bolt.
- Non-handed.
- Without strike plate.

In unlocked position

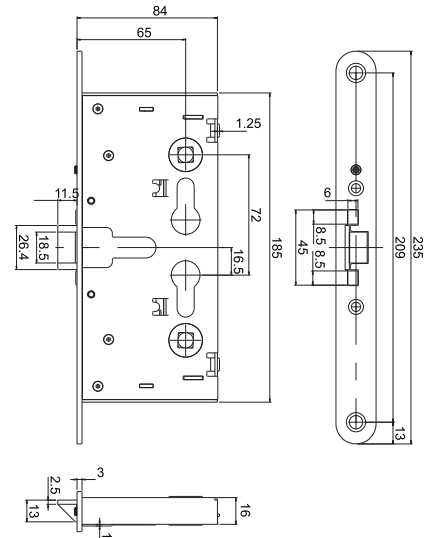
Latch bolt is operated from both sides by lever handle/key action.

In locked position

- Inside lever handle retracts latch and dead bolt simultaneously;
- Outside lever handle retracts latch bolt only. Dead bolt operated by cylinder key.

Compliance with:

- A) EN12209
- B) EN179



72-65PC

Specifications

Panic function

- Key action on latch bolt.
- Two-piece follower.
- Without strike plate.

In unlocked position

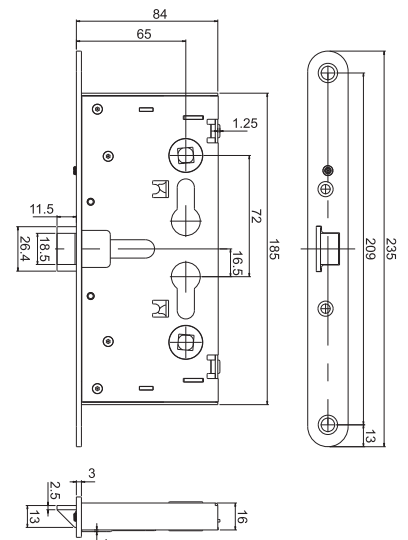
Latch bolt is operated from both sides by lever handle/key action. .

In locked position

No operation of latch bolt from outside. Operation latch bolt from inside handle.

Compliance with:

- A) EN12209
- B) EN179



72-65PA

Specifications

Non panic function

- Key action on latch bolt.
- Single throw dead bolt.
- Non-handed.
- Without strike plate.

In unlocked position

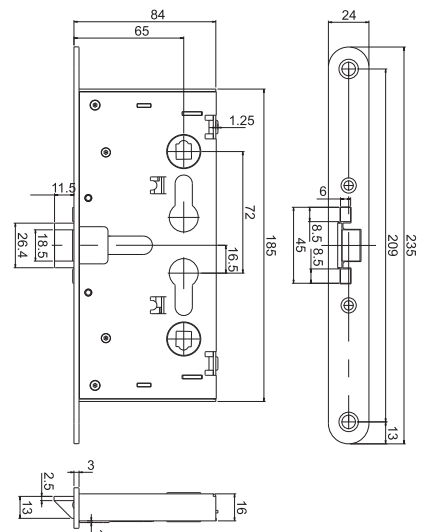
Latch bolt is operated from both sides by lever handle/key action.

In locked position

- Inside and outside lever handle retracts latch only;
- Dead bolt operated by cylinder key.

Compliance with:

- A) EN12209



72-65DA



Specifications

Panic function

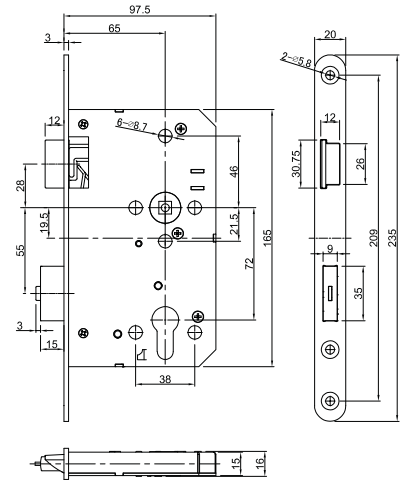
- Key unlock
- Non-handed.
- Without strike plate.

In unlocked position

Latch bolt is operated from both sides by lever handle/key action.

In locked position

- Inside lever handle retracts latch and dead bolt simultaneously
- Dead bolt operate by key



72-65DP: work with 72-65DA for double door

Specifications

Panic function

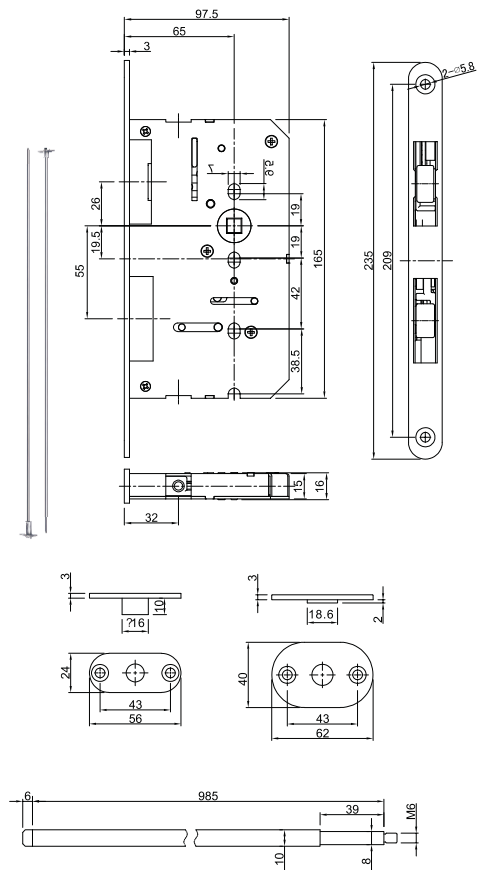
- Top and bottom bolt to locks
- Non-handed
- Without strike plate

In unlocked position

Bolts are retracted.

In locked position

- Inside lever handle retracts bolts simultaneously;
- Outside handle free play.



72-60/65TR

Specifications

Panic function

- Key unlock
- Non-handed.
- Without strike plate.

In unlocked position

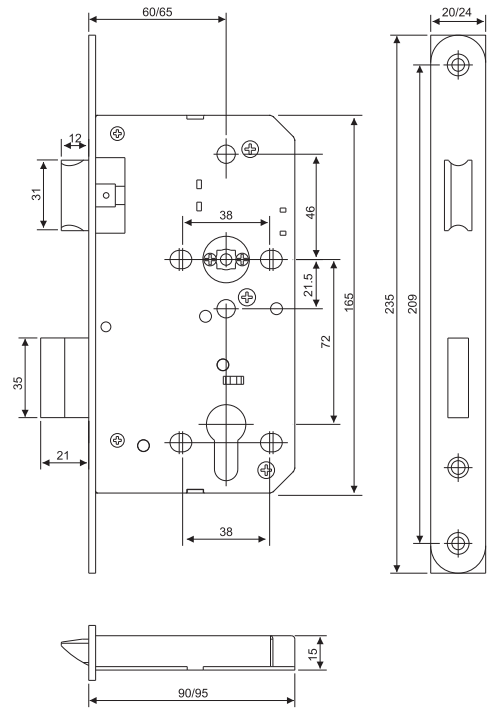
Latch bolt is operated from both sides by lever handle/key action.

In locked position

- Inside lever handle retracts latch and dead bolt simultaneously
- Dead bolt operate by key

Compliance with:

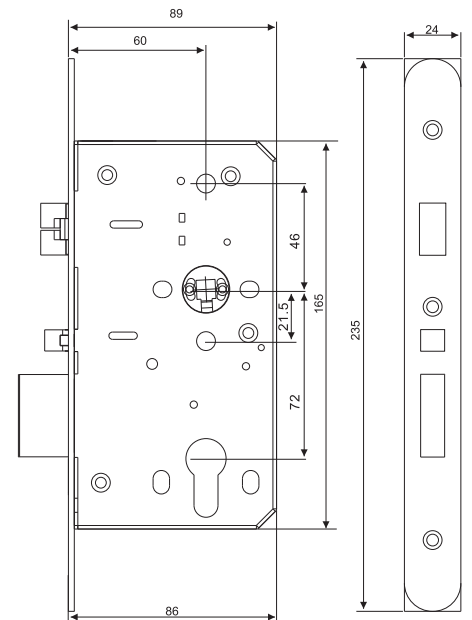
- A) EN12209
- B) EN179



72-60/65TF

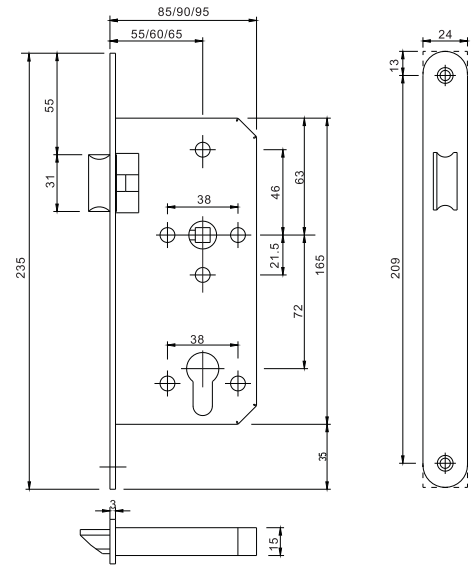
Automatic Deadbolt Locking Mortise Lock

1. Lock case seal, zinc plated
2. Latch and bolt is stainless steel 304
3. Bolt projection, one throw, 20mm
4. 8mm square steel follower in steel
5. Non handed
6. Compliance with:
 - A) EN12209
 - B) EN179



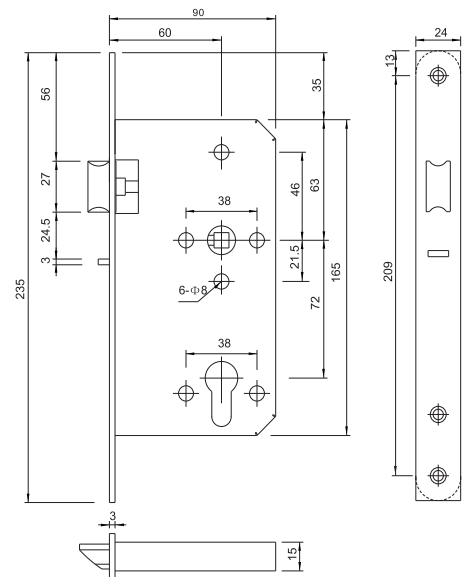
72-60LR/72-65LR Latch bolt Fire rated lock

1. Lock case seal, zinc plated
2. Latch is stainless steel 304
3. 8mm square steel follower in steel
4. Hole for standard fixings
5. Non handed



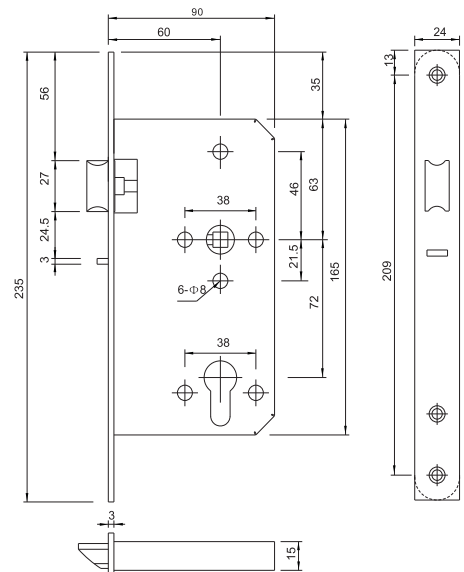
72-60FR Night latch lock

1. Lock case seal, zinc plated
2. Latch is stainless steel 304
3. 8mm square steel follower in steel
4. Hole for standard fixings
5. Non handed



72-60CR/72-65CR Classroom lock

1. Lock case seal, zinc plated
2. Latch is stainless steel 304
3. 8mm square steel follower in steel
4. Hole for standard fixings
5. Non handed



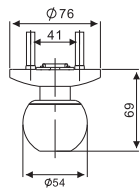
Trim

CMPA004/004B/006, Lever and Rose Trim

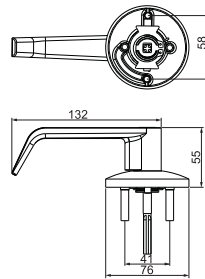


Certificate:
EN1634, fire rated

1. Non-handed
2. CMPA004/006: with fixed cross shape spindle
3. CMPA004B: with spindle housing adaptor
4. Material:
 - 1) Stainless steel
 - 2) Steel
5. Finishes:
 - 1) Standard finish: stainless steel, silver painted
 - 2) Optional finish: Polishing, PVD, Black, Red

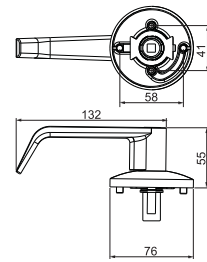


CMPA006



CMPA004

With fixed cross shape spindle



CMPA004B

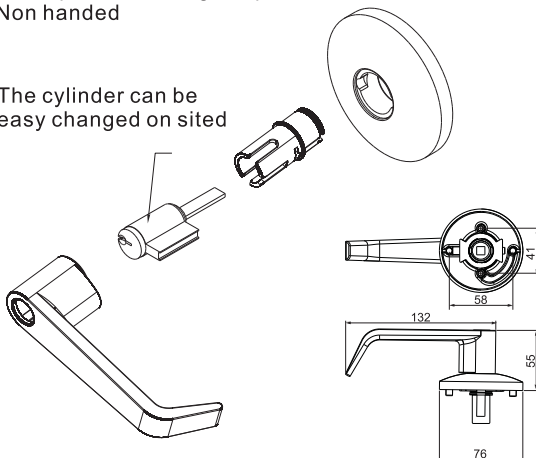
With spindle housing adaptor

Model	CMPA004 CMPA004B CMPA006-L	CMPA005 CMPA005B CMPA006-BE	CMPA005-DT CMPA006-DT
Operation Options	key in lever locks or unlocks lever	Latchbolt operate by lever any time	Lever rigid at any time, no outside function
Picture			
Function	Classroom	Passage	Dummy
ANSI Function	08	14	02

CMPA104

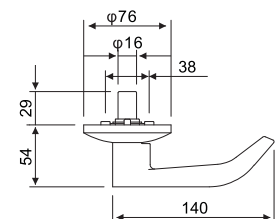
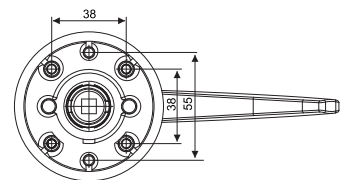
Cylinder can be change on site
For master key
With spindle housing adaptor
Non handed

The cylinder can be easy changed on sited



CMPA014

Lever trim
Certificate: EN1634 fire rated
With spindle housing adaptor
Non handed
Stainless steel 316L
Door thicknes: 45-50mm

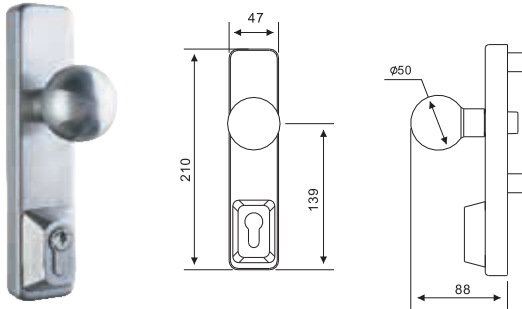


CMPA008/010, Escutcheon trim

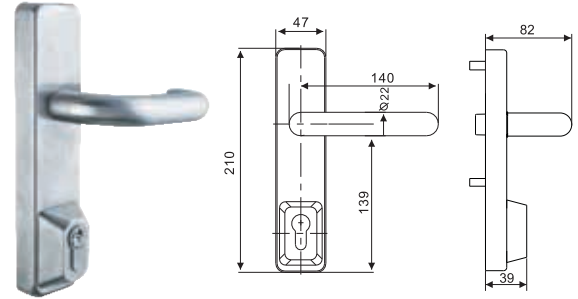
1. Non-handed
2. Cylinder can be changed on site
3. Door thickness 44-50mm
4. Material:
 - 1) Stainless steel
 - 2) Steel
5. Finishes:
 - 1) Standard finish: stainless steel, silver painted
 - 2) Optional finish: Polishing, PVD, Black, Red



Certificate:
EN1634, fire rated



CMPA008

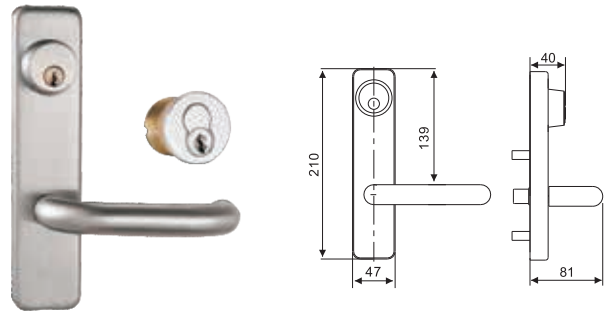


CMPA010

Model	CMPA008-L CMPA010-L	CMPA008-BE CMPA010-BE	CMPA008-DT CMPA010-DT
Operation Options	key locks or unlocks lever	Latchbolt operate by lever any time	Lever rigid at any time, no outside function
Picture			
Function	Classroom	Passage	Dummy
ANSI Function	08	14	02

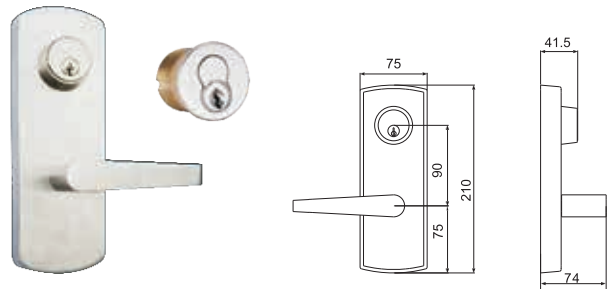
CMPA401, Escutcheon trim

1. Non-handed
2. CMPA401, standard : cylinder 28. 6mm
3. SFIC Cylinder is optional: CMPA401-ACC, cylinder housing 34. 9mm
4. Door thickness 44-50mm
5. Material:
 - 1) Stainless steel
 - 2) Steel
6. Finishes:
 - 1) Standard finish: stainless steel, silver painted
 - 2) Optional finish: Polishing, PVD, Black, Red



CMPA410, Escutcheon trim

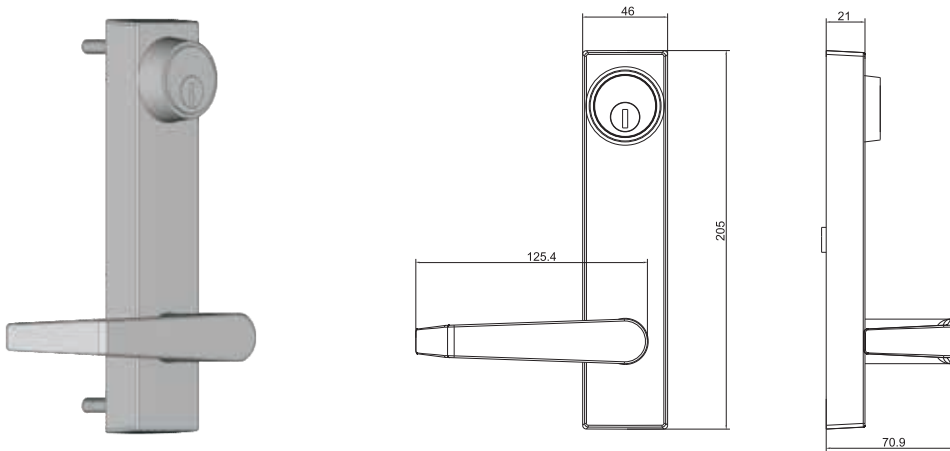
1. Free wheeling, clutch design
2. Non-handed
3. CMPA401, standard : cylinder 28. 6mm
3. SFIC Cylinder is optional: CMPA410-ACC, cylinder housing 34. 9mm
4. Door thickness 44-50mm
6. Material:
 - 1) Stainless steel
 - 2) Steel
7. Finishes:
 - 1) Standard finish: stainless steel, silver painted
 - 2) Optional finish: Polishing, PVD, Black, Red
8. UL fire rated, pending



Model	CMPA401-L CMPA410-L	CMPA401-BE CMPA410-BE	CMPA401-DT CMPA410-DT
Operation Options	key locks or unlocks lever	Latchbolt operate by lever any time	Lever rigid at any time, no outside function
Picture			
Function	Classroom	Passage	Dummy
ANSI Function	08	14	02

CMPA420, Escutcheon trim

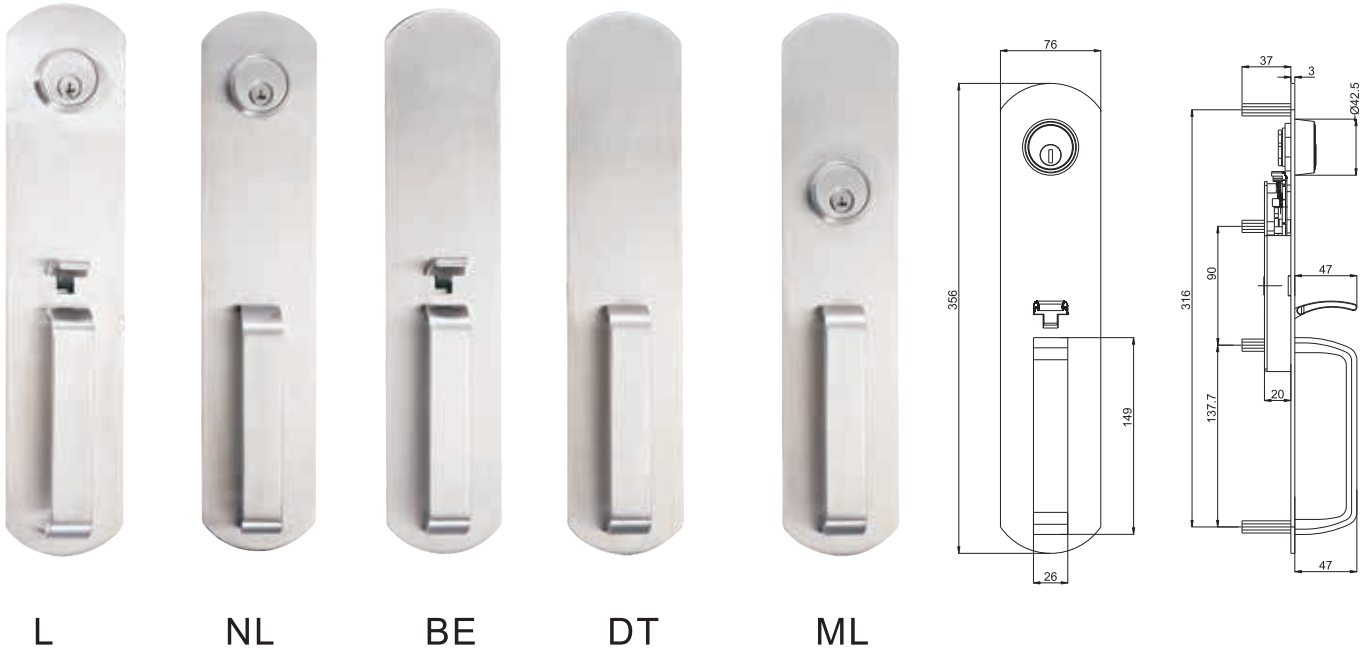
1. Non-handed
2. Free wheeling, clutch design
3. SFIC Cylinder is optional: CMPA420-ACC
4. Door thickness 44-50mm
5. Material:
 - 1) Stainless steel
 - 2) Steel
6. Finishes:
 - 1) Standard finish: stainless steel, silver painted
 - 2) Optional finish: Polishing, PVD, Black, Red

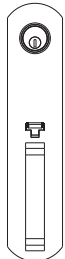
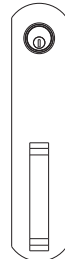
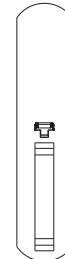

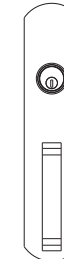


Model	CMPA420-L	CMPA420-NL	CMPA420-BE	CMPA420-DT	CMPA420-ML
Operation Options	key locks or unlocks lever	Key retracts Latchbolt	Latchbolt operate by lever any time	Lever rigid at any time, no outside function	Lever is controlled by mortise lock Key retracts latch of mortise lock
Picture					
Function	Classroom	Night latch	Passage	Dummy	ANSI function
ANSI Function	08	03	14	02	03

CMPA450 series, Pull & Thumbpiece Trim, Wide Stile

1. Non-handed easily installed with exit device.
2. Available finishes: US3, US4, US10, US10B, US26, US 26B and US32D
3. Trim has through-bolts to the device chassis for more security and durability. It fits 1-3/4" (44mm) doors standard. For 2" (51mm), 2-1/4" (57mm) thick doors or the shim-mounted exit device, please specify the door thickness when ordering.








Model	CMPA450-L	CMPA450-NL	CMPA450-BE	CMPA450-DT	CMPA450-ML
Operation Options	key locks & Unlocks thumbpiece 	Key retracts latchbolt 	T-piece always active(No cylinder) 	Pull when dogged 	Cylinder directly drive mortise lock 
Function	Classroom	Night latch	Passage	Dummy	Dummy
Trim Designation	Cylinder pull plate with thumbpiece	Cylinder pull plate	Blank pull plate with thumbpiece	Dummy pull plate	Dummy pull plate
Plate Size	13 31/32" x 3" x 3/32"(355mm x 44mm x 2mm)				
ANSI Function	08	03	14	02	Lock function
Cylinder Type	1/4" mortise	Rim	—	—	—

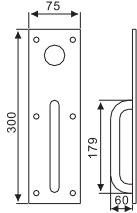


CMPA450 series, Pull & Thumbpiece Trim, Narrow stile

1. Non-handed easily installed with exit device.
2. Available finishes: US3, US4, US10, US10B, US26, US 26B and US32D
3. Trim has through-bolts to the device chassis for more security and durability. It fits 1-3/4" (44mm) doors standard. For 2" (51mm), 2-1/4" (57mm) thick doors or the shim-mounted exit device, please specify the door thickness when ordering.



Model	CMPA750-L	CMPA750-NL	CMPA750-BE	CMPA750-DT	CMPA750-ML
Operation Options	key locks & Unlocks thumbpiece 	Key retracts latchbolt 	T-piece always active(No cylinder) 	Pull when dogged 	Cylinder directly drive mortise lock 
Function	Classroom	Night latch	Passage	Dummy	Dummy
Trim Designation	Cylinder pull plate with thumbpiece	Cylinder pull plate	Blank pull plate with thumbpiece	Dummy pull plate	Dummy pull plate
Plate Size	13 31/32" x 3" x 3/32"(355mm x 76mm x 2mm)				
ANSI Function	08	03	14	02	Lock function
Cylinder Type	1/4" mortise	Rim	—	—	—



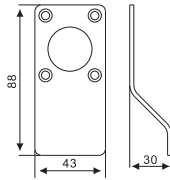
CMPA001

Night latch plate

Work with cylinder CMPA009

Stainless steel 304

Finish: SS, PSS, PVD, AB



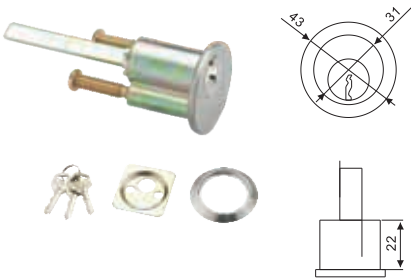
EP02

Night latch plate

Work with cylinder CMPA009

Stainless steel 304

Finish: SS, PSS, PVD, AB



CMPA009

Night latch cylinder

Function 03, Key retracts latchbolt

Zinc alloy

Finish; SN



CMPA015

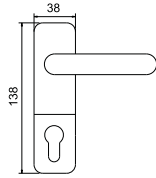
Trim Night latch cylinder

Function 03, Key retracts latchbolt

Non handed

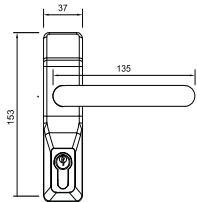
Material: stainless steel 304

suitable for Platform screen doors



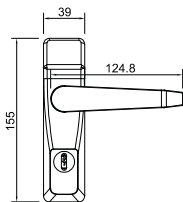
CMPA012

Escutcheon lever trim
 For narrow stile doors
 Function 08, key locks & unlocks handle
 Free wheeling, clutch design
 Non handed
 Stainless steel 304
 Finish: SSS, PSS, PVD
 EN1634 fire rated (pending)



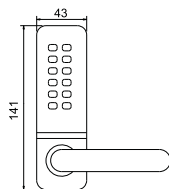
CMPA112

Escutcheon lever trim
 For narrow stile doors
 Function 08, key locks & unlocks handle
 Free wheeling, clutch design
 Non handed
 Zinc alloy
 Finish: painted



CMPA212

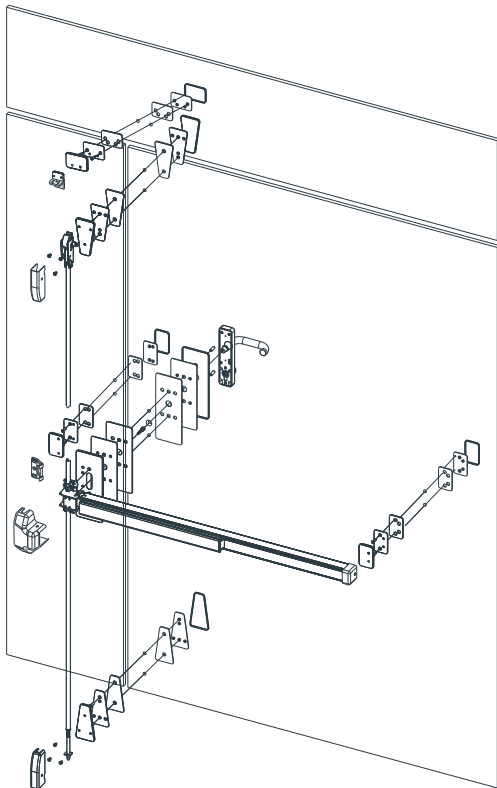
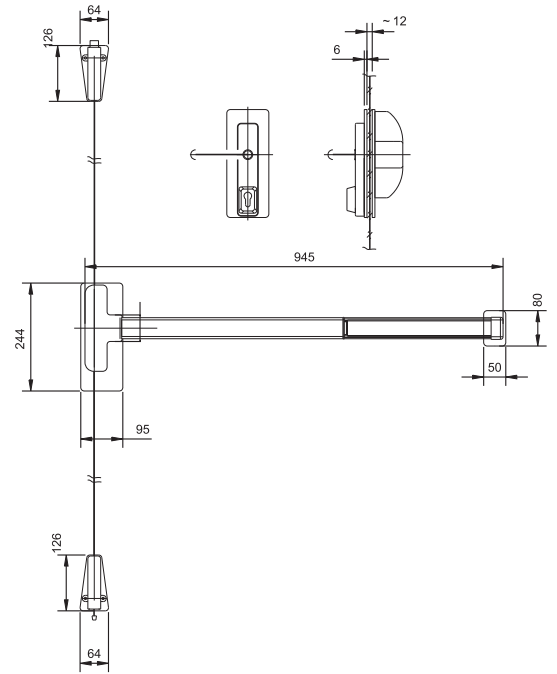
Escutcheon lever trim
 For narrow stile doors
 Function 08, key locks & unlocks handle
 Security grade RC4
 Free wheeling, clutch design
 Non handed
 Stainless steel 304
 Finish: SS, PSS, PVD



CMPA801

Push button digital escutcheon
 lever trim
 Free wheeling, clutch design
 Function 08, key locks & unlocks handle
 Non handed
 Zinc Alloy,
 Chrome plating

Glass Door Kit
For CMP000/400 series
CMPL7 10-R for single door
CMPL710-V for double door





CMPL001 Keep

For single door

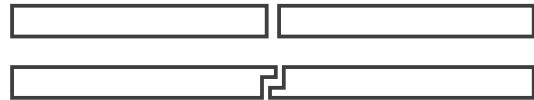


CMPL003 Keep

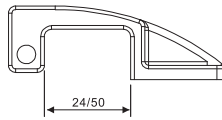


CMPL005 Keep

For double door, plate, flush rebate, or plain with an astragal



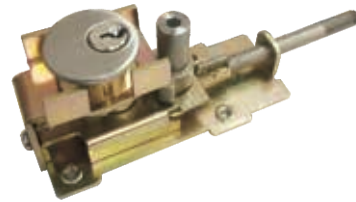
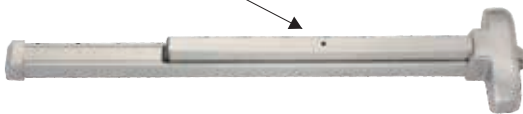
CMPL006-24
CMPL006-50



For double door, T or Z shap astragal door



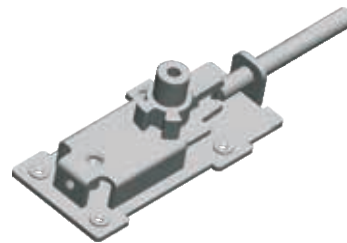
CMPL004 Dogging



CMPL451 cylinder dogging for CMP450 series



CMPL011 Mounting backplate



CMPL452 hex key dogging for CMP450 series

